

事務連絡
平成23年5月12日

各保健福祉事務所 御中

薬務課

「かさ密度及びタップ密度測定法」及び「エンドトキシン試験法」
に係る第十六改正日本薬局方英文版について

平成23年4月25日付けで厚生労働省医薬食品局審査管理課から別添のとおり事務
連絡がありましたので、業務の参考として送付します。

なお、関係団体には別途連絡済です。

また、別添の事務連絡は神奈川県ホームページの薬務課コンテンツ「かながわの薬
事情報」に掲載されております。

<http://www.pref.kanagawa.jp/cnt/f4551/>

(事務連絡の概要)

平成23年3月24日厚生労働省告示第65号により、第十六改正日本薬局方が告示
されたが、今般、「かさ密度及びタップ密度測定法」及び「エンドトキシン試験法」の
英文版を作成した。

問い合わせ先
生産指導グループ 飯塚
電話 (045)210-1111 内線 4977



<連絡先関係団体>

(社)神奈川県薬剤師会

神奈川県製薬協会

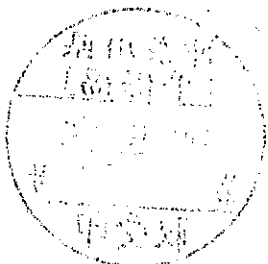
神奈川県化粧品工業協会

神奈川県医療機器工業会

神奈川県医薬品卸業協会

(社)神奈川県医薬品配置協会

(社)神奈川県医薬品登録販売者協会



事務連絡
平成23年4月25日

各都道府県衛生主管部（局）
薬務主管課 御中

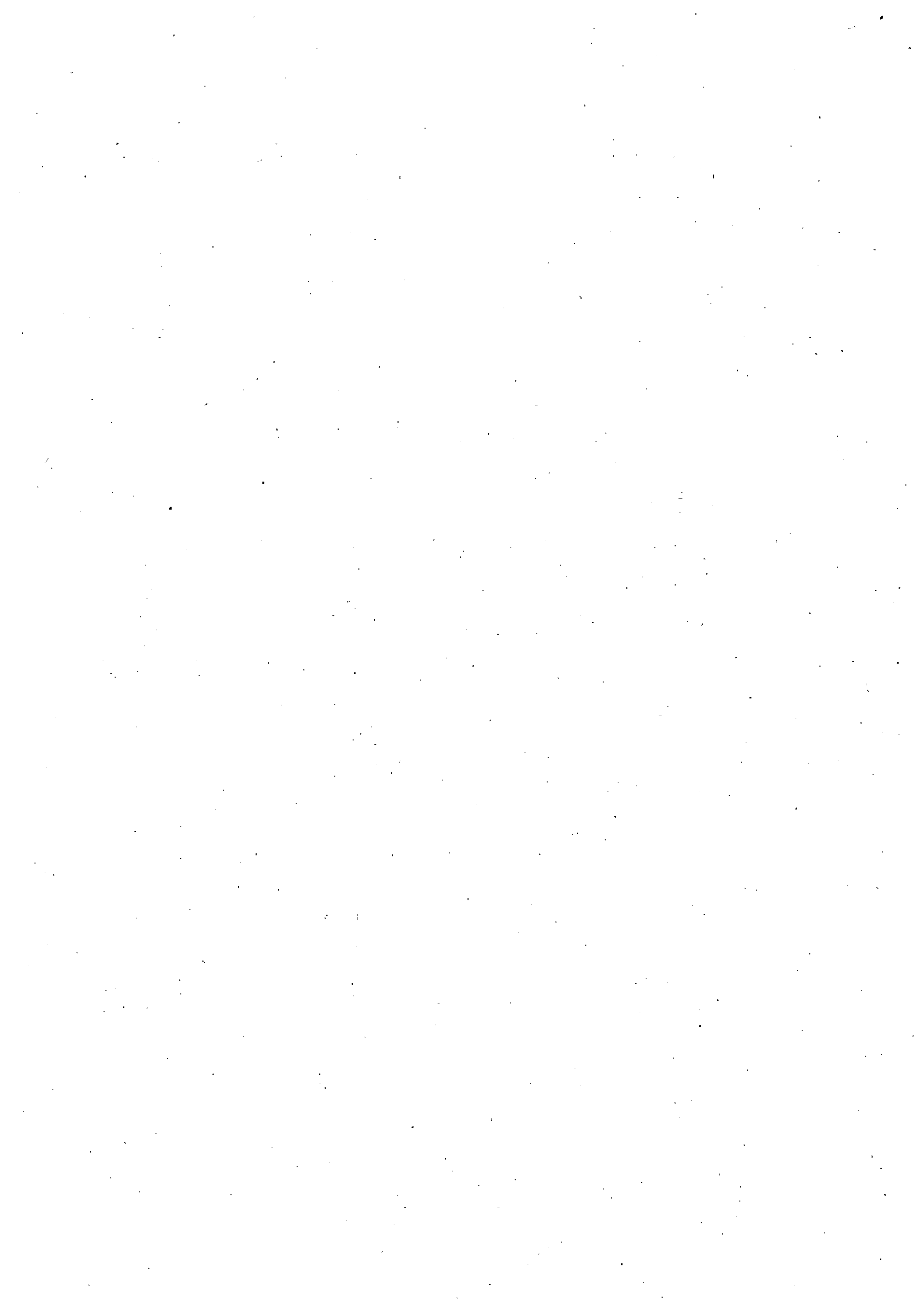
厚生労働省医薬食品局審査管理課

「かさ密度及びタップ密度測定法」及び「エンドトキシン試験法」に係る
第十六改正日本薬局方英文版について

第十六改正日本薬局方は、平成23年3月24日厚生労働省告示第65号により告示されたところですが、当該薬局方中、三薬局方（日本薬局方、米国薬局方及び欧州薬局方）の薬局方検討会議（PDG）での調和合意に基づき規定した「かさ密度及びタップ密度測定法」及び「エンドトキシン試験法」について、英文版を作成しましたので御連絡いたします。

なお、標記試験法の相互利用については、今後、日米EU医薬品規制調和国際会議（ICH）における評価と勧告を得た後、改めてその運用方法を通知する予定です。





3.01 Determination of Bulk and Tapped Densities

This determination is harmonized with the European Pharmacopoeia and the U.S. Pharmacopoeia. The parts of the text that are not harmonized are marked with symbols (♦ ♦).

♦Determination of Bulk and Tapped Densities is a method to determine the bulk densities of powdered drugs under loose and tapped packing conditions respectively. Loose packing is defined as the state obtained by pouring a powder sample into a vessel without any consolidation, and tapped packing is defined as the state obtained when the vessel containing the powder sample is to be repeatedly dropped a specified distance at a constant drop rate until the apparent volume of sample in the vessel becomes almost constant.♦

1. Bulk density

The bulk density of a powder is the ratio of the mass of an untapped powder sample and its volume including the contribution of the interparticulate void volume. Hence, the bulk density depends on both the density of powder particles and the spatial arrangement of particles in the powder bed. The bulk density is expressed in grams per milliliter (g/mL) although the international unit is kilogram per cubic meter ($1 \text{ g/mL} = 1000 \text{ kg/m}^3$) because the measurements are made using cylinders. It may also be expressed in grams per cubic centimeter (g/cm^3).

The bulking properties of a powder are dependent upon the preparation, treatment and storage of the sample, i.e. how it was handled. The particles can be packed to have a range of bulk densities and, moreover, the slightest disturbance of the powder bed may result in a changed bulk density. Thus, the bulk density of a powder is often very difficult to measure with good reproducibility and, in reporting the results, it is essential to specify how the determination was made.

The bulk density of a powder is determined by measuring the volume of a known mass of powder sample, that may have been passed through a sieve into a graduated cylinder (Method 1), or by measuring the mass of a known volume of powder that has been passed through a volumeter into a cup (Method 2) or a measuring vessel (Method 3). Method 1 and Method 3 are favoured.

1.1. Method 1: Measurement in a Graduated Cylinder

1.1.1. Procedure

Pass a quantity of powder sufficient to complete the test through a sieve with apertures greater than or equal to 1.0 mm, if necessary, to break up agglomerates that may have formed during storage; this must be done gently to avoid changing the nature of the material. Into a dry graduated cylinder of 250 mL (readable to 2 mL), gently introduce, without compacting, approximately 100 g of the test sample (m) weighed with 0.1 per cent accuracy. Carefully level the powder without compacting, if necessary, and read the unsettled apparent volume (V_0) to the

nearest graduated unit. Calculate the bulk density in g per mL by the formula m/V_0 . Generally, replicate determinations are desirable for the determination of this property.

If the powder density is too low or too high, such that the test sample has an untapped apparent volume of either more than 250 mL or less than 150 mL, it is not possible to use 100 g of powder sample. Therefore, a different amount of powder has to be selected as test sample, such that its untapped apparent volume is 150 mL to 250 mL (apparent volume greater than or equal to 60 per cent of the total volume of the cylinder); the mass of the test sample is specified in the expression of results.

For test samples having an apparent volume between 50 mL and 100 mL a 100 mL cylinder readable to 1 mL can be used; the volume of the cylinder is specified in the expression of results.

1.2. Method 2: Measurement in a Volumeter

1.2.1. Apparatus

The apparatus⁽¹⁾ (Fig. 3.01-1) consists of a top funnel fitted with a 1.0 mm sieve. The funnel is mounted over a baffle box containing four glass baffle plates over which the powder slides and bounces as it passes. At the bottom of the baffle box is a funnel that collects the powder and allows it to pour into a cup mounted directly below it. The cup may be cylindrical ($25.00 \pm 0.05 \text{ mL}$ volume with an inside diameter of $30.00 \pm 2.00 \text{ mm}$) or a cubical ($16.39 \pm 0.20 \text{ mL}$ volume with inside dimensions of $25.4 \pm 0.076 \text{ mm}$).

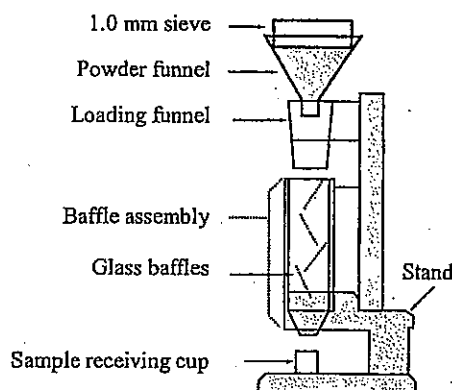


Fig. 3.01-1 Volumeter

1.2.2. Procedure

Allow an excess of powder to flow through the apparatus into the sample receiving cup until it overflows, using a minimum of 25 cm^3 of powder with the cubical cup and 35 cm^3 of powder with the cylindrical cup. Carefully, scrape excess powder from the top of the cup by smoothly moving the edge of the blade of spatula perpendicular to and in contact with the top surface of the cup, taking care to keep the spatula perpendicular to prevent packing or removal of powder from the cup. Remove any material from the side of the cup and determine the mass (m) of the powder to the nearest 0.1 per cent. Calculate the bulk density in g per mL by the formula m/V_0 in which V_0 is the

volume of the cup and record the average of 3 determinations using 3 different powder samples.

450 ± 10 g.

1.3. Method 3: Measurement in a Vessel

1.3.1. Apparatus

The apparatus consists of a 100 mL cylindrical vessel of stainless steel with dimensions as specified in Fig. 3.01-2.

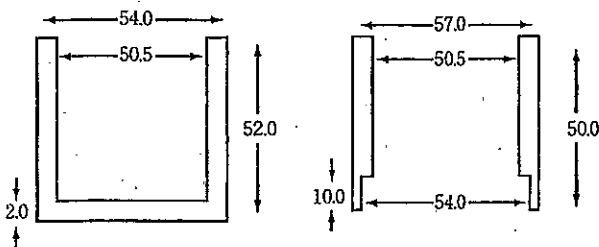


Fig. 3.01-2. Measuring vessel (left) and cap (right)
Dimensions in mm

1.3.2. Procedure

Pass a quantity of powder sufficient to complete the test through a 1.0 mm sieve, if necessary, to break up agglomerates that may have formed during storage and allow the obtained sample to flow freely into the measuring vessel until it overflows. Carefully scrape the excess powder from the top of the vessel as described for Method 2. Determine the mass (m_0) of the powder to the nearest 0.1 per cent by subtraction of the previously determined mass of the empty measuring vessel. Calculate the bulk density (g/mL) by the formula $m_0/100$ and record the average of 3 determinations using 3 different powder samples.

2. Tapped density

The tapped density is an increased bulk density attained after mechanically tapping a container containing the powder sample.

The tapped density is obtained by mechanically tapping a graduated measuring cylinder or vessel containing the powder sample. After observing the initial powder volume or mass, the measuring cylinder or vessel is mechanically tapped, and volume or mass readings are taken until little further volume or mass change is observed. The mechanical tapping is achieved by raising the cylinder or vessel and allowing it to drop, under its own mass, a specified distance by either of 3 methods as described below. Devices that rotate the cylinder or vessel during tapping may be preferred to minimize any possible separation of the mass during tapping down.

2.1. Method 1

2.1.1. Apparatus

The apparatus (Fig. 3.01-3) consists of the following:

- a 250 mL graduated cylinder (readable to 2 mL) with a mass of 220 ± 44 g.
- a settling apparatus capable of producing, in 1 min, either nominally 250 ± 15 taps from a height of 3 ± 0.2 mm, or nominally 300 ± 15 taps from a height of 14 ± 2 mm. The support for the graduated cylinder, with its holder, has a mass of

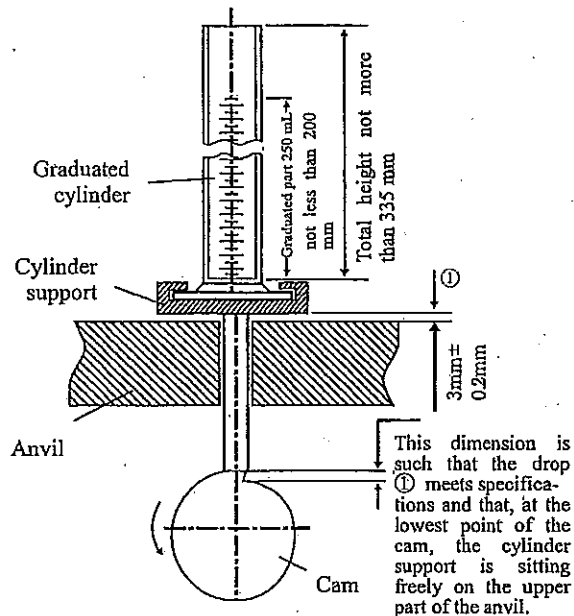


Fig. 3.01-3.

2.1.2. Procedure

Proceed as described above for the determination of the bulk volume (V_0).

Secure the cylinder in the holder. Carry out 10, 500 and 1250 taps on the same powder sample and read the corresponding volumes V_{10} , V_{500} and V_{1250} to the nearest graduated unit. If the difference between V_{500} and V_{1250} is less than or equal to 2 mL, V_{1250} is the tapped volume. If the difference between V_{500} and V_{1250} exceeds 2 mL, repeat in increments such as 1250 taps, until the difference between succeeding measurements is less than or equal to 2 mL. Fewer taps may be appropriate for some powders, when validated. Calculate the tapped density (g/mL) using the formula m/V_T in which V_T is the final tapped volume. Generally, replicate determinations are desirable for the determination of this property. Specify the drop height with the results.

If it is not possible to use a 100 g test sample, use a reduced amount and a suitable 100 mL graduated cylinder (readable to 1 mL) weighing 130 ± 16 g and mounted on a holder weighing 240 ± 12 g. The modified test conditions are specified in the expression of the results.

2.2. Method 2

2.2.1. Procedure

Proceed as directed under Method 1 except that the mechanical tester provides a fixed drop of 3 ± 0.2 mm at a nominal rate of 250 taps per minute.

2.3. Method 3

2.3.1. Procedure

Proceed as described in the method for measuring the bulk density using the measuring vessel equipped with the cap shown in Fig. 3.01-2. The measuring vessel with the cap is lifted 50-60

times per minute by the use of a suitable tapped density tester. Carry out 200 taps, remove the cap and carefully scrape excess powder from the top of the measuring vessel as described in Method 3 for measuring the bulk density. Repeat the procedure using 400 taps. If the difference between the 2 masses obtained after 200 and 400 taps exceeds 2 per cent, carry out a test using 200 additional taps until the difference between succeeding measurements is less than 2 per cent. Calculate the tapped density (g/mL) using the formula $m_t/100$ where m_t is the mass of powder in the measuring vessel. Record the average of 3 determinations using 3 different powder samples. The test conditions including tapping height are specified in the expression of the results.

3. Measures of Powder Compressibility

Because the interparticulate interactions influencing the bulking properties of a powder are also the interactions that interfere with powder flow, a comparison of the bulk and tapped densities can give a measure of the relative importance of these interactions in a given powder. Such a comparison is often used as an index of the ability of the powder to flow, for example the Compressibility Index or the Hausner Ratio:

The Compressibility Index and Hausner Ratio are measures of the propensity of a powder to be compressed as described above. As such, they are measures of the powder ability to settle and they permit an assessment of the relative importance of interparticulate interactions. In a free-flowing powder, such interactions are less significant, and the bulk and tapped densities will be closer in value. For poorer flowing materials, there are frequently greater interparticulate interactions, and a greater difference between the bulk and tapped densities will be observed. These differences are reflected in the Compressibility Index and the Hausner Ratio.

Compressibility Index:

$$100 (V_0 - V_f)/V_0$$

V_0 : unsettled apparent volume

V_f : final tapped volume

Hausner Ratio:

$$V_0/V_f$$

Depending on the material, the compressibility index can be determined using V_{10} instead of V_0 . If V_{10} is used, it is clearly stated in the results.

(1) The apparatus (the Scott Volumeter) conforms to the dimensions in ASTM 329 90.

4.01 Bacterial Endotoxins Test

This test is harmonized with the European Pharmacopoeia and the U. S. Pharmacopoeia.

Bacterial Endotoxins Test is a test to detect or quantify bacterial endotoxins of gram-negative bacterial origin using an amoebocyte lysate prepared from blood corpuscle extracts of horseshoe crab (*Limulus polyphemus* or *Tachypleus tridentatus*). There are two types of techniques for this test: the gel-clot techniques, which are based on gel formation by the reaction of the lysate TS with endotoxins, and the photometric techniques, which are based on endotoxin-induced optical changes of the lysate TS. The latter include turbidimetric techniques, which are based on the change in lysate TS turbidity during gel formation, and chromogenic techniques, which are based on the development of color after cleavage of a synthetic peptide-chromogen complex.

Proceed by any one of these techniques for the test. In the event of doubt or dispute, the final decision is made based on the gel-clot techniques, unless otherwise indicated.

The test is carried out in a manner that avoids endotoxin contamination.

1. Apparatus

Depyrogenate all glassware and other heat-stable materials in a hot-air oven using a validated process. Commonly used minimum time and temperature settings are 30 minutes at 250°C. If employing plastic apparatus, such as multi-well plates and tips for micropipettes, use only that which has been shown to be free of detectable endotoxin and which does not interfere with the test.

2. Preparation of Solutions

2.1. Standard Endotoxin Stock Solution

Prepare Standard Endotoxin Stock Solution by dissolving Japanese Pharmacopoeia Reference Standard Endotoxin that has been calibrated to the current WHO International Standard for Endotoxin, using water for bacterial endotoxins test (BET). Endotoxin is expressed in Endotoxin Units (EU). One EU is equal to one International Unit (IU) of endotoxin.

2.2. Standard Endotoxin Solution

After mixing Standard Endotoxin Stock Solution thoroughly, prepare appropriate serial dilutions of Standard Endotoxin Solution, using water for BET. Use dilutions as soon as possible to avoid loss of activity by adsorption.

2.3. Sample Solutions

Unless otherwise specified, prepare sample solutions by dissolving or diluting drugs, using water for BET. If necessary, adjust the pH of the solution to be examined so that the pH of the mixture of the lysate TS and sample solution falls within the specified pH range for the lysate to be used. This usually applies to a sample solution with a pH in the range of 6.0 to 8.0. TSs or solutions used for adjustment of pH may be prepared using water for BET, and then stored in containers free of detectable endotoxin. The TSs or solutions must be validated to be free of detectable endotoxin and interfering factors.

3. Determination of Maximum Valid Dilution

The Maximum Valid Dilution (MVD) is the maximum allowable dilution of a sample solution at which the endotoxin limit can be determined.

Determine the MVD from the following equation:

$$\text{MVD} = \text{Endotoxin limit} \times \text{Concentration of sample solution} / \lambda$$

Endotoxin limit:

The endotoxin limit for injections, defined on the basis of dose, equals K/M , where K is a threshold pyrogenic dose of endotoxin per kg body mass (EU/kg), and M is equal to the maximum bolus dose of product per kg body mass. When the product is to be injected at frequent intervals or infused continuously, M is the maximum total dose administered in a single hour period.

Concentration of sample solution:

mg/mL in the case of endotoxin limit specified by mass (EU/mg)

mEq/mL in the case of endotoxin limit specified by equivalent (EU/mEq)

Units/mL in the case of endotoxin limit specified by biological unit (EU/Unit)

mL/mL in the case of endotoxin limit specified by volume (EU/mL)

λ : the labeled lysate sensitivity in the gel-clot techniques (EU/mL) or the lowest point used (EU/mL) in the standard regression curve of the turbidimetric or chromogenic techniques

4. Gel-clot techniques

The gel-clot techniques detect or quantify endotoxins based on clotting of the lysate TS in the presence of endotoxin. To ensure both the precision and validity of the test, perform the tests for confirming the labeled lysate sensitivity (4.1.1) and for interfering factors (4.1.2) as described under Preparatory testing (4.1).

4.1. Preparatory testing

4.1.1. Test for confirmation of labeled lysate sensitivity

The labeled sensitivity of lysate is defined as the lowest concentration of endotoxin that is needed to cause the lysate TS

to clot under the conditions specified for the lysate to be used.

The test for confirmation of the labeled lysate sensitivity is to be carried out when each new lot of lysate is used or when there is any change in the experimental conditions which may affect the outcome of the test.

Prepare standard solutions having four concentrations equivalent to 2 λ, λ, 0.5 λ and 0.25 λ by diluting the Standard Endotoxin Stock Solution with water for BET. Mix a volume of the lysate TS with an equal volume of one of the standard solutions (usually, 0.1 mL aliquots) in each test tube. When single test vials or ampoules containing lyophilized lysate are used, add solutions directly to the vial or ampoule.

Keep the tubes (or containers such as vials or ampoules) containing the reaction mixture usually at 37 ± 1°C for 60 ± 2 minutes, avoiding vibration. To test the integrity of the gel after incubation, invert each tube or container through approximately 180° in one smooth motion. If a firm gel has formed that remains in place upon inversion, record the result as positive. A result is negative if either a firm gel is not formed, or if a fragile gel has formed but flows out upon inversion.

Making the standard solutions of four concentrations one set, test four replicates of the set.

The test is valid when 0.25 λ of the standard solution shows a negative result in each set of tests. If the test is not valid, repeat the test after verifying the test conditions.

The endpoint is the last positive test in the series of decreasing concentrations of endotoxin. Calculate the geometric mean endpoint concentration of the four replicate series using the following formula:

$$\text{Geometric Mean Endpoint Concentration} = \text{antilog} (\sum e/f)$$

$\sum e$ = the sum of the log endpoint concentrations of the dilution series used

f = the number of replicates

If the geometric mean endpoint concentration is not less than 0.5 λ and not more than 2 λ, the labeled sensitivity is confirmed, and is used in tests performed with this lysate.

4.1.2. Test for interfering factors

This test is performed to check for the presence of enhancing or inhibiting factors for the reaction in sample solutions.

Prepare the solutions A, B, C and D according to Table 4.01-1, and test solutions A and B and solutions C and D in quadruplicate and in duplicate, respectively. Concerning the incubation temperature, incubation time, and procedure for the confirmation of gel formation, follow the procedure described in 4.1.1.

The geometric mean endpoint concentrations of B and C solutions are determined by using the formula, described in 4.1.1.

This test must be repeated when there is any change in the experimental conditions which may affect the outcome of the test.

Table 4.01-1

Solution	Endotoxin concentration /Solution to which endotoxin is added	Diluent	Dilution factor	Endotoxin concentration	Number of replicates
A ^{*1}	0/Sample solution	—	—	—	4
B ^{*2}	2λ/Sample solution	Sample solution	1	2λ	4
			2	1λ	
			4	0.5λ	
C ^{*3}	2λ/Water for BET	Water for BET	8	0.25λ	2
			1	2λ	
			2	1λ	
			4	0.5λ	
D ^{*4}	0/Water for BET	—	—	—	2

*¹ Negative control. Sample solution only.

*² Sample solutions added with standard endotoxin (for testing interfering factors).

*³ Standard endotoxin solutions for confirmation of the labeled lysate sensitivity.

*⁴ Negative control. Water for BET only.

The test is valid if solutions A and D show no reaction and the result for solution C confirms the labeled lysate sensitivity.

If the geometric mean endpoint concentration of solution B is not less than 0.5 λ and not greater than 2 λ, the sample solution being examined does not contain interfering factors and complies with the test for interfering factors. Otherwise the sample solution interferes with the test.

If the sample under test does not comply with the test at a dilution less than the MVD, repeat the test using a greater dilution, not exceeding the MVD. The use of a more sensitive lysate permits a greater dilution of the sample to be examined. Furthermore, interference of the sample solution or diluted sample solution may be eliminated by suitable treatment, such as filtration, neutralization, dialysis or heat treatment. To establish that the treatment chosen effectively eliminates interference without loss of endotoxins, perform the assay described above using the preparation to be examined to which Standard Endotoxin has been added and which has then been submitted to the chosen treatment.

4.2. Limit test

This method tests whether or not a sample contains endotoxins greater than the endotoxin limit specified in the individual monograph based on the gel formation in the presence of endotoxins at a concentration of more than the labeled lysate sensitivity.

4.2.1. Procedure

Prepare solutions A, B, C and D according to Table 4.01-2. Making these four solutions one set, test two replicates of the set.

In preparing solutions A and B, use the sample solutions complying with 4.1.2. Concerning the test conditions including the incubation temperature, incubation time, and

procedure for the confirmation of gel formation, follow the procedure described in 4.1.1.

Table 4.01-2

Solution	Endotoxin concentration /Solution to which endotoxin is added	Number of replicates
A* ¹	0/Sample solution	2
B* ²	2λ/Sample solution	2
C* ³	2λ/Water for BET	2
D* ⁴	0/Water for BET	2

- *¹ Sample solution for the limit test. The solution may be diluted not to exceed the MVD.
- *² Positive control. Sample solution at the same dilution as solution A, containing standard endotoxin at a concentration of 2λ.
- *³ Positive control. Standard endotoxin solution containing standard endotoxin at a concentration of 2λ.
- *⁴ Negative control. Water for BET only.

4.2.2. Interpretation

The test is valid when both replicates of solutions B and C are positive and those of solution D are negative.

When a negative result is found for both replicates of solution A, the sample complies with the Bacterial Endotoxins Test.

When a positive result is found for both replicates of solution A, the sample does not comply with the test.

When a positive result is found for one replicate of solution A and a negative result is found for the other, repeat the test. In the repeat test, the sample complies with the test if a negative result is found for both replicates of solution A. The sample does not comply with the test if a positive result is found for one or both replicates of solution A.

However, if the sample does not comply with the test at a dilution less than the MVD, the test may be repeated using a greater dilution, not exceeding the MVD.

4.3. Quantitative Test

This method measures endotoxin concentrations of samples by determining an endpoint of gel formation.

4.3.1. Procedure

Prepare solutions A, B, C and D according to Table 4.01-3. Making these four solutions one set, test two replicates of the set. When preparing solutions A and B, use sample solutions complying with 4.1.2. Concerning the test conditions, follow the procedure described in 4.1.1.

Table 4.01-3

Solution	Endotoxin concentration /Solution to which endotoxin is added	Diluent	Dilution Factor	Endotoxin concentration	Number of replicates
A* ¹	0/Sample solution	Water for BET	1	—	2
			2	—	
			4	—	
			8	—	
B* ²	2λ/Sample solution	—	1	2λ	2
C* ³	2λ/Water for BET	Water for BET	1	2λ	2
			2	1λ	
			4	0.5λ	
			8	0.25λ	
D* ⁴	0/Water for BET	—	—	—	2

- *¹ Sample solutions for the Quantitative test. The dilution range of the dilution series may be changed as appropriate, but not exceeding the MVD.
- *² Positive control. Sample solution at the same dilution as the solution A diluted at the lowest dilution factor, containing standard endotoxin at a concentration of 2λ.
- *³ Standard endotoxin solutions for confirmation of the labeled lysate sensitivity.
- *⁴ Negative control. Water for BET only.

4.3.2. Calculation and interpretation

The test is valid when the following three conditions are met: (a) both replicates of the negative control solution D are negative, (b) both replicates of the positive product control solution B are positive and (c) the geometric mean endpoint concentration of solution C is in the range of 0.5 λ to 2 λ.

The endpoint is defined as the maximum dilution showing the last positive test in the dilution series of solution A, and the endotoxin concentration of the sample solution is calculated by multiplying the endpoint dilution factor by λ.

If none of the dilutions of solution A is positive, report the endotoxin concentration of the sample solution as less than λ × the lowest dilution factor of the sample solution.

If all dilutions are positive, the endotoxin concentration of the sample solution is reported as equal to or greater than the greatest dilution factor of solution A multiplied by λ.

Calculate the endotoxin concentration (in EU/mL, EU/mg, EU/mEq or EU/Unit) of the sample, based on the endotoxin concentration of the sample solution. The sample complies with the Bacterial Endotoxins Test if the endotoxin concentration of the sample in both replicates meets the requirement for the endotoxin limit (in EU/mL, EU/mg, EU/mEq or EU/Unit) specified in the individual monograph.

5. Photometric quantitative techniques

5.1. Turbidimetric technique

This technique measures the endotoxin concentrations of samples based on the measurement of turbidity change accompanying gel formation of the lysate TS. This technique is classified as either endpoint-turbidimetric or

kinetic-turbidimetric.

The endpoint-turbidimetric technique is based on the quantitative relationship between the concentration of endotoxins and the turbidity of the reaction mixture at a specified reaction time.

The kinetic-turbidimetric technique is based on the quantitative relationship between the concentration of endotoxins and either the time needed to reach a predetermined turbidity of the reaction mixture or the rate of turbidity development.

The test is usually carried out at $37 \pm 1^\circ\text{C}$, and turbidity is expressed in terms of either absorbance or transmission.

5.2. Chromogenic technique

This technique measures the endotoxin concentrations of sample solutions based on the measurement of chromophore released from a synthetic chromogenic substrate by the reaction of endotoxins with the lysate TS. This technique is classified as either endpoint-chromogenic or kinetic-chromogenic.

The endpoint-chromogenic technique is based on the quantitative relationship between the concentration of endotoxins and the release of chromophore at the end of an incubation period.

The kinetic-chromogenic technique is based on the quantitative relationship between the concentration of endotoxins and either the time needed to reach a predetermined absorbance (or transmittance) of the reaction mixture or the rate of color development.

The test is usually carried out at $37 \pm 1^\circ\text{C}$.

5.3. Preparatory testing

To assure the precision and validity of the turbidimetric or chromogenic techniques, perform both Test for assurance of criteria for the standard curve (5.3.1) and Test for interfering factors (5.3.2), as indicated below.

5.3.1. Test for assurance of criteria for the standard curve

The test is to be carried out when each new lot of lysate is used or when there is any change in the experimental conditions which may affect the outcome of the test.

Using the Standard Endotoxin Solution, prepare at least three endotoxin concentrations to generate the standard curve within the range of endotoxin concentrations indicated by the instructions for the lysate used. Perform the test using at least three replicates of each standard endotoxin concentration according to the optimal conditions for the lysate used (with regard to volume ratios, incubation time, temperature, pH, etc.). If the desired range is greater than two logs, additional standards should be included to bracket each log increase in the range of the standard curve.

If the absolute value of the correlation coefficient, $|r|$, is greater than or equal to 0.980 for the range of endotoxin concentrations set up, the criteria for the standard curve are valid and the curve complies with the test.

If the standard curve does not comply with the test, repeat the

test after verifying the test conditions.

5.3.2. Test for interfering factors

Prepare solutions A, B, C and D according to Table 4.01-4. Perform the test on these solutions following the optimal conditions for the lysate used (with regard to volume of sample solution and lysate TS, volume ratio of sample solution to lysate TS, incubation time, etc.).

The test for interfering factors must be repeated when any condition changes, which is likely to influence the result of the test.

Table 4.01-4

Solution	Endotoxin concentration	Solution to which endotoxin is added	Number of test tubes or wells
A* ¹	0	Sample solution	Not less than 2
B* ²	Middle concentration of the standard curve	Sample solution	Not less than 2
C* ³	At least 3 concentrations	Water for BET	Each not less than 2
D* ⁴	0	Water for BET	Not less than 2

*¹ Sample solution only (for assaying endotoxin concentration in the sample solution). The sample solution may be diluted not to exceed the MVD.

*² Sample solution at the same dilution as solution A, containing added standard endotoxin at a concentration equal to or near the middle of the standard curve.

*³ Standard endotoxin solutions at the concentrations used in 5.3.1 (for the standard curve).

*⁴ Negative control. Water for BET only.

The test is valid when the following conditions are met.

- 1: The absolute value of the correlation coefficient of the standard curve generated using solution C is greater than or equal to 0.980.
- 2: The result with solution D does not exceed the limit of the blank value required in the description of the lysate employed, or it is less than the endotoxin detection limit of the lysate employed.

Calculate the recovery of the endotoxin added to solution B from the concentration found in solution B after subtracting the endotoxin concentration found in solution A.

When the recovery of the endotoxin added to solution B is within 50% to 200%, the sample solution under test is considered to be free of interfering factors and the solution complies with the test.

When the endotoxin recovery is out of the specified range, the sample solution under test is considered to contain interfering factors. If the sample under test does not comply with the test, repeat the test using a greater dilution, not exceeding the MVD. Furthermore, interference of the sample solution or diluted sample solution not to exceed the MVD may be eliminated by suitable treatment, such as filtration, neutralization, dialysis or heat treatment. To establish that the

treatment chosen effectively eliminates interference without loss of endotoxins, perform the assay described above using the preparation to be examined to which Standard Endotoxin has been added and which has then been submitted to the chosen treatment.

5.4. Quantitative test

5.4.1. Procedure

Prepare solutions A, B, C and D according to Table 4.01-4, and follow the procedure described in 5.3.2.

5.4.2. Calculation of endotoxin concentration

Calculate the mean endotoxin concentration of solution A using the standard curve generated with solution C. The test is valid when all the following requirements are met.

- 1: The absolute value of the correlation coefficient of the standard curve generated using solution C is greater than or equal to 0.980.
- 2: The endotoxin recovery, calculated from the concentration found in solution B after subtracting the concentration of endotoxin found in solution A, is within the range of 50% to 200%.
- 3: The result with solution D does not exceed the limit of the blank value required in the description of the lysate employed, or it is less than the endotoxin detection limit of the lysate employed.

5.4.3. Interpretation

The sample complies with the Bacterial Endotoxins Test if the endotoxin concentration of the sample calculated from the mean endotoxin concentration of solution A meets the requirement of the endotoxin limit (in EU/mL, EU/mg, EU/mEq or EU/Unit) specified in the individual monograph.

General Tests / Reagents, Test Solutions, etc.

9.41 Reagents, Test Solutions

Lysate reagent

A lyophilized product obtained from amoebocyte lysate of horseshoe crab (*Limulus polyphemus* or *Tachypleus tridentatus*). Amoebocyte lysate preparations which do not react to β -glucans are available: they are prepared by removing the G factor reacting to β -glucans from amoebocyte lysate or by inhibiting the G factor reacting system of amoebocyte lysate.

Lysate TS

Dissolve a lysate reagent in water for bacterial endotoxins test, or in a suitable buffer, by gentle stirring.

Water for bacterial endotoxins test

Same as the monograph Water for Injection, Sterile Water for Injection in Containers or other waters that do not contain endotoxins at a concentration higher than the detection limit of the lysate employed and that are suitable for the test performed.



参考

第十六改正
日本薬局方

(平成23年3月24日 厚生労働省告示第65号)

の質量と粒子間空隙容積の因子を含んだ粉体の体積との比である。したがって、かさ密度は粉体の粒子密度と粉体層内の粒子の空間的配列に依存する。かさ密度は、国際単位系では kg/m^3 であるが、メスシリンダーを用いて測定するので g/mL で表される($1\text{g/mL}=1000\text{kg/m}^3$)。なお、これは g/cm^3 で表してもよい。

粉体のかさ特性は、試料の調製法、処理法や保存法、すなわち、粉体がどのように取り扱われたかに依存する。粒子は、一連のかさ密度を持つように充てんすることができ、また、粉体層をごくわずかに乱すだけでもかさ密度は変化する。このように、粉体のかさ密度を再現性よく測定するのは極めて難しいので、結果を記録する際には、どのようにして測定したかを明記しておくことが重要である。

粉体のかさ密度は、ふるいを通してメスシリンダーに入れた既知質量の粉体試料の体積を測定する(第1法)か、又はポリュメーターを通して容器内に入れた既知体積の粉体試料の質量を測定する(第2法)か、若しくは測定用容器(第3法)を用いることによって求める。これらの中で第1法及び第3法を用いるのが望ましい。

1.1. 第1法 (メスシリンダーを用いる方法)

1.1.1. 操作法

保存中に形成するかも知れない凝集体を解砕するために、必要ならば、試験を行うのに十分な量の粉体を1.0mm以上の目開きを持つふるいを通す。この操作は試料の性質を変化させないよう静かに行わねばならない。0.1%の精度で秤量した約100gの試料(m)を圧密せずに乾いた250mLメスシリンダー(最小目盛単位: 2mL)に静かに入れる。必要ならば、粉体層の上面を圧密せずに注意深くならし、ゆるみかさ体積(V_0)を最小目盛単位まで読み取る。 m/V_0 によってかさ密度(g/mL)を計算する。この特性値を測定するためには、一般に繰り返し測定することが望ましい。

粉体の密度が小さすぎるか又は大きすぎる、すなわち、試料のゆるみかさ体積が250mL以上であるか又は150mL以下の場合には、試料量として100gを用いることができない。したがって、このような場合には、試料のゆるみかさ体積が150mLから250mL(メスシリンダーの全容積中に占めるかさ体積が60%以上)となるような、別の試料量を選択しなければならぬ。この場合、試料の質量を結果の項目中に記載しておく。

50mLから100mLのかさ体積を持つ試料については、最小目盛単位が1mLの100mLメスシリンダーを用いることができる。この場合、メスシリンダーの容積を結果の項目中に記載しておく。

1.2. 第2法 (ポリュメーターを用いる方法)

1.2.1. 装置

装置¹⁾(図3.01-1)は目開き1.0mmのふるいを取り付けた上部漏斗から構成される。この漏斗は、粉体が通過するときに、その上を滑落したり跳ね上がったりする4枚のガラス製邪魔板が取り付けられたバツフル・ボックスの上部に固定されている。バツフル・ボックスの底部には、ボックスの直下に置かれた、粉体を集めてカップに注入できるような漏斗がある。このカップは円筒形(容積 $25.00 \pm 0.05\text{mL}$ 、内径 $30.06 \pm 2.00\text{mm}$)又は立方体(容積 $16.39 \pm 0.20\text{mL}$ 、一辺の長さ $25.4 \pm 0.076\text{mm}$)である。

3.01 かさ密度及びタップ密度測定法

本試験法は、三業局方での調和合意に基づき規定した試験法である。なお、三業局方で調和されていない部分は「*」で囲むことにより示す。

*かさ密度及びタップ密度測定法は、それぞれ粉末状医薬品の疎充てん時及びタップ充てん時におけるみかけの密度を測定する方法である。疎充てんとは、容器中に粉体を圧密せずにゆるやかに充てんすることであり、タップ充てんとは、粉体を充てんした容器を一定高さより一定速度で繰り返し落下させ、容器中の粉体のかさ体積がほぼ一定となるまで密に充てんすることである。

1. かさ密度

粉体のかさ密度は、タップしない(ゆるみ)状態での粉体試料

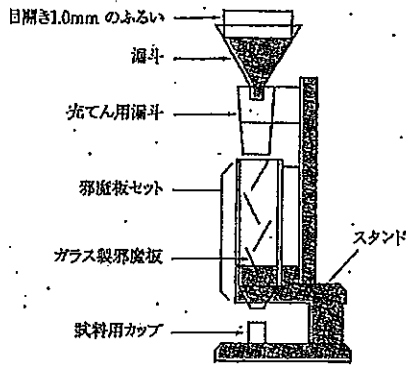


図3.01-1 ポリユメーター

1.2.2. 操作法

立方体カップの場合には最少量 25cm^3 、円筒形カップの場合には最少量 35cm^3 の粉体を用い、装置を通して試料の受取となるカップ内に過剰の粉体を溢れるまで落下させる。カップの上面に垂直に立てて接触させたヘラの刃を滑らかに動かし、圧密やカップからの粉体の溢流を防ぐためにヘラを垂直にしたままで、カップの上面から過剰の粉体を注意深くすり落とす。カップの側面からも試料をすべすべ除去し、粉体の質量(m)を0.1%まで測定する。式 m/V_0 (V_0 はカップの容積)によってかさ密度(g/mL)を計算する。三つの異なった試料を用いて、3回の測定値の平均値を記録する。

1.3. 第3法 (容器を用いる方法)

1.3.1. 装置

装置は図3.01-2に示すようなステンレス製の100mL円筒形容器から構成される。

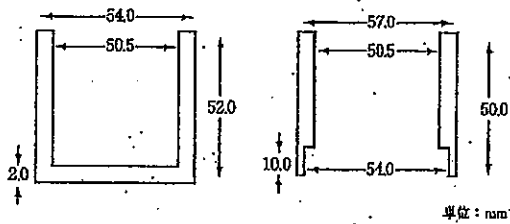


図3.01-2 測定用容器(左)と補助円筒(右)

1.3.2. 操作法

保存中に形成された凝集体を解砕し、得られた試料を測定用容器に溢れるまで自由に流入させるために、必要ならば、試験を行うのに十分な量の試料を1.0mmのふるいを通して調製する。第2法と同様に容器の上面から過剰の粉体を注意深くすり落とす。あらかじめ測定しておいた空の測定用容器の質量を差し引くことによって、粉体の質量(m)を0.1%まで測定する。式 $m/100$ によってかさ密度(g/mL)を計算し、三つの異なった試料を用いて、3回の測定値の平均値を記録する。

2. タップ密度

タップ密度は、粉体試料を入れた容器を機械的にタップした後得られる、増大したかさ密度である。

タップ密度は粉体試料を入れた測定用メスシリンダー又は容器を機械的にタップすることにより得られる。粉体の初期体積又は質量を測定した後、測定用メスシリンダー又は容器を機械的にタップし、体積又は質量変化がほとんど認められなくなる

まで体積又は質量を読み取る。機械的タップは、メスシリンダー又は容器を持ち上げ、自重下で以下に述べる三つの方法のいずれかによって所定の距離を落下させることにより行う。タップ中に生じる塊の分離をできるだけ最小限にするために、タップ中にメスシリンダー又は容器を回転させることができるような装置がよい。

2.1. 第1法

2.1.1. 装置

装置(図3.01-3)は、次の部品から構成される。

(i) 質量 $220 \pm 44\text{g}$ の260mLメスシリンダー(最小目盛単位: 2mL)

(ii) $9 \pm 0.2\text{mm}$ の高さから公称250 ± 16 回/分、又は $14 \pm 2\text{mm}$ の高さから公称300 ± 16 回/分のタップ速度を与えることができる落下装置。メスシリンダー用の $450 \pm 10\text{g}$ の質量を持つ支持台。

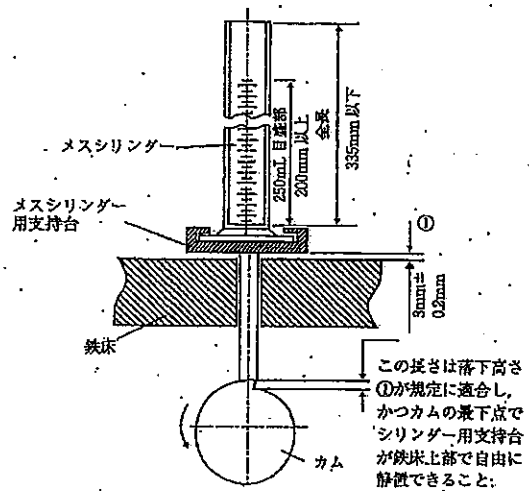


図3.01-3 タッピング装置

2.1.2. 操作法

かさ体積(V_0)の測定について先に述べたようにして行う。メスシリンダーを支持台に装着する。同じ粉体試料について10回、500回及び1250回タップし、対応するかさ体積 V_{10} 、 V_{500} 及び V_{1250} を最小目盛単位まで読み取る。 V_{500} と V_{1250} の差が2mL以下であれば、 V_{1250} をタップ体積とする。 V_{500} と V_{1250} の差が2mLを超える場合には、連続した測定値間の差が2mL以下となるまで1250回ずつタップを繰り返す。なお、バリデートされていれば、粉体によってはタップ回数はいくらでもよい。式 m/V (V は最終タップ体積)を用いてタップ密度(g/mL)を計算する。この特性値を測定するためには、一般に測定は繰り返して行うことが望ましい。結果と共に、落下高さも記載しておく。

100gの試料を用いることができない場合には、試料量を減じ、 $240 \pm 12\text{g}$ の質量を持つ支持台の上に固定された $130 \pm 16\text{g}$ の適切な100mLメスシリンダー(最小目盛単位1mL)を用いる。試験条件の変更については、結果の項目中に記載しておく。

2.2. 第2法

2.2.1. 操作法

250回/分の公称速度で $3 \pm 0.2\text{mm}$ の固定した落下高さが得ら

れるタップ密度測定器を用いるほかは、第1法で指示されたように行う。

2.3. 第3法

2.3.1. 操作法

図3.01～2に示した補助円筒を装着した測定用容器を用いて、かさ密度の測定法に従って行う。適切なタップ密度測定器を用いて補助円筒付きの測定用容器を50～60回/分でタップする。200回タップして補助円筒を取り外し、かさ密度測定における第3法で示した測定用容器の上面から過剰の粉体を注意深くすり落とす。タップ操作を更に400回繰り返す。200回及び400回タップ後に得られた二つの質量の差が2%を超えた場合には、二つの連続した測定値間の差が2%未満となるまで更に200回ずつタップして、試験を行う。式 $m_t/100$ (m_t は測定用容器中の粉体質量)を用いてタップ密度(g/mL)を計算し、三つの異なった試料を用いて、3回の測定値の平均値を記録する。タップ高さも含めた試験条件を結果の項目中に記載しておく。

3. 粉体の圧縮性の尺度

粉体のかさ特性に影響する粒子間相互作用は、粉体の流動を妨げる相互作用でもあるので、かさ密度とタップ密度を比較することは、ある特定の粉体におけるこれらの相互作用の相対的重要性を示す一つの尺度となり得る。このような比較は、例えば、圧縮性指数又はHausner比のように、粉体の流れやすさの指標としてしばしば用いられる。

圧縮性指数とHausner比は、先に述べたように粉体の圧縮性の尺度となる。これらはそれ自体、粉体層の沈下能の尺度であり、これによって粒子間相互作用の相対的重要性を評価することができる。自由流動性のある粉体については、このような相互作用はあまり重要ではなく、かさ密度とタップ密度の値は比較的接近している。流動性の乏しい粉体では粒子間相互作用はしばしば大きくなり、かさ密度とタップ密度の間にはより大きな差違が認められる。これらの差違は圧縮性指数とHausner比に反映する。

圧縮性指数：次式によって計算する。

$$\text{圧縮性指数} = (V_0 - V_f) / V_0 \times 100$$

V_0 ：ゆるみかさ体積

V_f ：最終タップ体積

Hausner比：次式によって計算する。

$$\text{Hausner比} = V_0 / V_f$$

試料によっては、圧縮性指数は V_0 の代わりに V_{00} を用いて求めることができる。 V_0 の代わりに V_{00} を用いた場合は、試験結果に明記する。

1) 装置(Scott Volumeter)は、ASTM 32990に準拠している。

4.01 エンドトキシン試験法

本試験法は、三業局方での調剤台意に基づき規定した試験法である。

エンドトキシン試験法は、カプトガニ (*Limulus polyphemus*又は*Tachypleus tridentatus*)の血球抽出成分より調製されたライセート試薬を用いて、グラム陰性菌由来のエンドトキシンを検出又は定量する方法である。本法には、エンドトキシンの作用によるライセート試液のゲル形成を指標とするゲル化法及び光学的变化を指標とする光学的測定法がある。光学的測定法には、ライセート試液のゲル化過程における濁度変化を指標とする比濁法、及び合成基質の加水分解による発色を指標とする比色法がある。

エンドトキシン試験は、ゲル化法、比濁法又は比色法によって行う。ただし、その結果について疑義がある場合又は係争が生じた場合は、別に規定するもののほか、ゲル化法によって最終の判定を行う。

本法はエンドトキシンによる汚染を避けて行う。

1. 器具

試験に用いるすべてのガラス製及びその他の耐熱性器具は、有効とされている方法により乾熱処理を行う。通例、少なくとも250℃で30分間の乾熱処理を行う。また、マルチウエルプレート及びマイクロピペット用チップなどのプラスチック製品を

用いる場合は、エンドトキシンが検出されないこと及びエンドトキシン試験に対する干渉作用のないことが確認されたものを用いる。

2. 溶液の調製

2.1. エンドトキシン標準原液の調製

エンドトキシン標準原液はエンドトキシン標準品をエンドトキシン試験用水で溶解して調製する。エンドトキシン標準品の力価は、世界保健機関のエンドトキシン国際標準品を基準として標定される。なお、エンドトキシン単位はEUで示し、1EUは1エンドトキシン国際単位(IU)に等しい。

2.2. エンドトキシン標準溶液の調製

エンドトキシン標準溶液はエンドトキシン標準原液を十分に振り混ぜた後、エンドトキシン試験用水で希釈して調製する。エンドトキシン標準溶液は、エンドトキシンの容器への吸着を避けるため、できるだけ速やかに使用する。

2.3. 試料溶液の調製

別に規定するもののほか、被検試料をエンドトキシン試験用水で溶解又は希釈し、試料溶液とする。ライセート試液と試料溶液の混液のpHが用いるライセート試薬に規定されるpH範囲になるように、試料溶液のpHの調整を必要とする場合もある。通例、試料溶液のpHは、6.0~8.0の範囲にあればよい。pHの調整に用いる試液又は溶液はエンドトキシン試験用水を用いて調製し、エンドトキシンが検出されない容器に保存する。これらの試液又は溶液は、エンドトキシンが検出されないこと、及び反応干渉因子を含まないことが保証されたものでなければならない。

3. 最大有効希釈倍数の求め方

最大有効希釈倍数とは、試料溶液中に存在する反応干渉因子の影響を希釈により回避できる時、許容される試料溶液の最大の希釈倍数である。

最大有効希釈倍数は、次の式によって求める。

最大有効希釈倍数

$$= (\text{エンドトキシン規格値} \times \text{試料溶液の濃度}) / \lambda$$

エンドトキシン規格値：注射剤のエンドトキシン規格値は、投与量に基づいて規定されており、 K/M に等しい。なお、 K は発熱を誘起するといわれる体重1kg当たりのエンドトキシンの量(EU/kg)であり、 M は体重1kg当たり1回に投与される注射剤の最大量である。ただし、注射剤が頻回又は持続的に投与される場合は、 M は1時間以内に投与される注射剤の最大総量とする。

試料溶液の濃度：試料溶液の濃度の単位は、エンドトキシン規格値が質量当たり(EU/mg)で規定されている場合はmg/mL、当量当たり(EU/mEq)で規定されている場合はmEq/mL、生物学的単位当たり(EU/単位)で規定されている場合は単位/mL、容量当たり(EU/mL)で規定されている場合はmL/mLである。

λ ：ゲル化法の場合はライセート試薬の表示感度(EU/mL)であり、比濁法又は比色法の場合は検量線の最小エンドトキシン濃度(EU/mL)である。

4. ゲル化法

本法は、エンドトキシンの存在によるライセート試液の凝固反応に基づいて、エンドトキシンを検出又は定量する方法であ

る。

本法の精度と有効性を保証するために、「4.1.予備試験」として「4.1.1.ライセート試薬の表示感度確認試験」及び「4.1.2.反応干渉因子試験」を行う。

4.1. 予備試験

4.1.1. ライセート試薬の表示感度確認試験

ライセート試薬の表示感度とは、ライセート試薬に規定されている条件下でのライセート試液の凝固に必要な最小エンドトキシン濃度である。ライセート試薬は各ロットにつき、使用前にその表示感度を確認しなければならない。

本試験は、試験結果に影響を及ぼす可能性が予想される試験条件の変更があるときにも行う。

ライセート試薬の表示感度の確認は、次の方法により行う。

エンドトキシン標準原液をエンドトキシン試験用水で希釈し、2.2、1.2、0.5.2及び0.25.2の4種の濃度のエンドトキシン標準溶液を調製する。

ライセート試液及びそれと等しい量、通例、0.1mLのエンドトキシン標準溶液を試験管にとり、混和する。単回試験用の凍結乾燥ライセート試薬を用いる場合は、その容器にエンドトキシン標準溶液を直接加え、ライセート試薬を溶解する。

これらの試験管又は容器を通例、 $37 \pm 1^\circ\text{C}$ に保ち、振動を避けて 60 ± 2 分間静置した後、程やかに約 180° 転倒し、内容物を観察する。流出しない堅固なゲルが形成されているとき、陽性とする。ゲルを形成しないか、又は形成したゲルが流出するとき、陰性とする。

調製した4種の濃度のエンドトキシン標準溶液を用いて、この4種の液を一組とした試験を4回行う。

各回の試験において、濃度0.25.2のエンドトキシン標準溶液がすべて陰性を示すとき、試験は有効である。試験が有効でないときは、試験条件を整備して再試験を行う。

各回の試験において、陽性を示す最小エンドトキシン濃度をエンドポイント濃度とし、次の式によって4回の試験の幾何平均エンドポイント濃度を求める。

$$\text{幾何平均エンドポイント濃度} = \text{antilog}(\sum e_i / f)$$

$\sum e_i$ ：各回のエンドポイント濃度の対数 e_i の和

f ：試験の回数

求めた幾何平均エンドポイント濃度が $0.5 \sim 2.2$ の範囲にあるとき、ライセート試薬の表示感度は確認されたと判定し、以下の試験にはその表示感度を用いる。

4.1.2. 反応干渉因子試験

本試験は、試料溶液について、反応を促進又は阻害する因子の有無を調べる試験である。

表4.01-1に従い、A、B、C及びD液を調製し、A及びB液は4回、C及びD液は2回試験する。反応温度、反応時間及びゲル化判定法は、4.1.1.に従う。

B液及びC液の幾何平均エンドポイント濃度は、4.1.1.の計算式を準用して求める。

本試験は、試験結果に影響を及ぼす可能性が予想される試験条件の変更があるときにも行う。

A及びD液の試験結果がすべて陰性で、C液の試験結果によりライセート試薬の表示感度が確認されたとき、反応干渉因子試験は有効とする。

B液の試験結果において幾何平均エンドポイント濃度が0.5~2λの範囲にあるとき、反応干渉因子は試料溶液に存在しないものと判定し、試料溶液は反応干渉因子試験に適合とする。幾何平均エンドポイント濃度がこの範囲にないとき、試料溶液は反応干渉作用を有する。試料溶液に反応干渉作用が認められるとき、最大有効希釈倍数を超えない範囲で試料溶液を更に希釈し、試験を行う。より高感度のライセート試薬を用いることにより、被検試料の最大有効希釈倍数をより大きくすることができる。なお、試料溶液から反応干渉作用を除くために、試料溶液又は希釈した試料溶液につき、適切な処理(ろ過、反応干渉因子の中和、透析又は加熱処理など)を施すことができる。ただし、処理によりエンドトキシンが損失しないことを保証するために、エンドトキシンを添加した試料溶液に当該の処理を施すことにより、上記の試験に適合する結果が得られることを確認する。

表4.01-1

液	エンドトキシン濃度/被添加液	希釈液	希釈倍数	エンドトキシン濃度	試験の回数
A ^{*1}	0/試料溶液	-	-	-	4
B ^{*2}	2λ/試料溶液	試料溶液	1	2λ	4
			2	1λ	
			4	0.5λ	
			8	0.25λ	
C ^{*3}	2λ/エンドトキシン試験用水	エンドトキシン試験用水	1	2λ	2
			2	1λ	
			4	0.5λ	
			8	0.25λ	
D ^{*4}	0/エンドトキシン試験用水	-	-	-	2

*1 陰性対照。試料溶液のみ。
 *2 反応干渉因子試験のための、標準エンドトキシンを添加した試料溶液。
 *3 ライセート試薬の表示感度確認のためのエンドトキシン標準溶液。
 *4 陰性対照。エンドトキシン試験用水のみ。

4.2 限度試験法

本法は、被検試料が各条に規定されたエンドトキシン規格を超えるエンドトキシンを含むか否かを、ライセート試薬の表示感度に基づいてゲル化反応により判定する方法である。

4.2.1 操作法

表4.01-2に従い、A、B、C及びD液を調製し、これらの4種の液を一組として試験を2回行う。A及びB液の試料溶液は、4.1.2.に適合する溶液を用いる。

反応温度、反応時間及びゲル化判定は、4.1.1.に準じる。

表4.01-2

液	エンドトキシン濃度/被添加液	試験の回数
A ^{*1}	0/試料溶液	2
B ^{*2}	2λ/試料溶液	2
C ^{*3}	2λ/エンドトキシン試験用水	2
D ^{*4}	0/エンドトキシン試験用水	2

*1 限度試験のための試料溶液。最大有効希釈倍数を超えない範囲で希釈することができる。
 *2 陽性対照。A液と同倍数で希釈された試料溶液で、濃度2λとなるように標準エンドトキシンを添加したもの。
 *3 陽性対照。濃度2λのエンドトキシン標準溶液。
 *4 陰性対照。エンドトキシン試験用水のみ。

4.2.2 判定

B及びC液の2回の試験結果がいずれも陽性で、D液の2回の試験結果がいずれも陰性のとき、試験は有効とする。

A液の2回の試験結果がいずれも陰性のとき、被検試料はエ

ンドトキシン試験に適合とし、いずれも陽性のとき、不適とする。

A液の2回の試験結果において、1回が陰性で他の1回が陽性のとき、この2回の試験を繰り返す。その2回の試験結果がいずれも陰性のとき、被検試料はエンドトキシン試験に適合とする。両方又は一方が陽性の場合には不適とする。

ただし、陽性の結果が得られたいずれの場合でも、試料溶液の希釈倍数が最大有効希釈倍数未満の場合、最大有効希釈倍数又はそれを超えない希釈倍数で試験をやり直すことができる。

4.3. 定量試験法

本法は、被検試料のエンドトキシン濃度をゲル化反応のエンドポイントを求めることにより測定する方法である。

4.3.1 操作法

表4.01-3に従い、A、B、C及びD液を調製する。これらの4種の液を一組として試験を2回行う。A及びB液の試料溶液は、4.1.2.に適合する溶液を用いる。

試験の操作条件は4.1.1.に準じる。

表4.01-3

液	エンドトキシン濃度/被添加液	希釈液	希釈倍数	エンドトキシン濃度	試験の回数
A ^{*1}	0/試料溶液	エンドトキシン試験用水	1	-	2
			2	-	
			4	-	
			8	-	
B ^{*2}	2λ/試料溶液	-	1	2λ	2
C ^{*3}	2λ/エンドトキシン試験用水	エンドトキシン試験用水	1	2λ	2
			2	1λ	
			4	0.5λ	
			8	0.25λ	
D ^{*4}	0/エンドトキシン試験用水	-	-	-	2

*1 定量試験のための試料溶液。保護希釈倍数は、最大有効希釈倍数を加えない範囲で適宜変更することができる。
 *2 陽性対照。A液の最小希釈倍数と同倍数で希釈された試料溶液に、濃度2λとなるように標準エンドトキシンを添加したもの。
 *3 ライセート試薬の表示感度確認のためのエンドトキシン標準溶液。
 *4 陰性対照。エンドトキシン試験用水のみ。

4.3.2 エンドトキシン濃度の算出及び判定

2回の試験のいずれの結果においても、D液は陰性を、B液は陽性を示し、C液の幾何平均エンドポイント濃度が0.5~2λの範囲にあるとき、試験は有効とする。

A液の希釈系列において、陽性を示す最大の希釈倍数をエンドポイントとし、λにエンドポイントにおける希釈倍数を乗じて得た値を試料溶液のエンドトキシン濃度とする。

A液の希釈系列の中に陽性を示すものがないとき、試料溶液のエンドトキシン濃度はλにA液の最小希釈倍数を乗じた値未満とする。

A液の希釈系列のすべてが陽性のとき、試料溶液のエンドトキシン濃度は、λにA液の最大希釈倍数を乗じた値以上とする。

試料溶液のエンドトキシン濃度から、被検試料のエンドトキシン濃度(EU/mL, EU/mg, EU/mEq又はEU/単位)を算出する。

2回の試験により被検試料について求めた二つのエンドトキシン濃度(EU/mL, EU/mg, EU/mEq又はEU/単位)のいずれもが、医薬品各条に規定されたエンドトキシン規格を満たすとき、被検試料はエンドトキシン試験に適合とする。

5. 光学的定量法

5.1. 比濁法

本法は、ライセート試液のゲル化に伴う濁度の変化を測定することにより、被検試料のエンドトキシン濃度を測定する方法である。エンドポイント比濁法とカイネティック比濁法がある。

エンドポイント比濁法は、エンドトキシン濃度と一定反応時間後における反応液の濁度との間の用量反応関係に基づく方法である。

カイネティック比濁法は、エンドトキシン濃度と反応液があらかじめ設定された濁度に達するのに要した時間又は濁度の経時変化率との間の用量反応関係に基づく方法である。

試験は、通例、 $37 \pm 1^\circ\text{C}$ で行い、濁度は吸光度又は透過率で示される。

5.2. 比色法

本法は、エンドトキシンのライセート試液との反応により、発色合成基質から遊離される発色基の量を吸光度又は透過率で測定することにより、エンドトキシンを定量する方法である。エンドポイント比色法とカイネティック比色法がある。

エンドポイント比色法は、エンドトキシン濃度と一定反応時間後における発色基の遊離量との間の用量反応関係に基づく方法である。

カイネティック比色法は、エンドトキシン濃度と反応液があらかじめ設定された吸光度又は透過率に達するのに要する時間又は発色の経時変化率との間の用量反応関係に基づく方法である。

試験は、通例、 $37 \pm 1^\circ\text{C}$ で行う。

5.3. 予備試験

比濁法又は比色法の精度と有効性を保証するために、「5.3.1. 検量線の信頼性確認試験」及び「5.3.2. 反応干渉因子試験」を行う。

5.3.1. 検量線の信頼性確認試験

ライセート試薬は各ロットにつき、使用する前にその検量線の信頼性を確認しなければならない。

本試験は、試験結果に影響を及ぼす可能性が予想される試験条件の変更があるときにも行う。

用いるライセート試薬に規定されているエンドトキシンの濃度範囲内で、少なくとも3種の濃度のエンドトキシン標準溶液を調製し、これらの各濃度の溶液につき、3回以上測定して検量線を作成する。エンドトキシン標準溶液とライセート試液の容量比、反応時間、反応温度、pHなどの操作条件は用いるライセート試薬の至適条件に従う。

検量線の濃度範囲を2桁より大きくするとき、1桁大きくすることに用いるエンドトキシン標準溶液の濃度を1濃度ずつ追加する。

作成した検量線の相関係数 r を求め、その絶対値 $|r|$ が0.980以上であるとき、検量線の信頼性は確認されたと判定する。

検量線の信頼性が確認されなかったときは、試験条件を整備して再試験を行う。

5.3.2. 反応干渉因子試験

表4.01-4に従い、A、B、C及びD液を調製して、試験を行う。ライセート試液の採取量、ライセート試液に対する試料溶液の容量比、反応時間などの操作条件は、用いるライセート試

薬の至適条件に従う。

本試験は、試験結果に影響を及ぼす可能性が予想される試験条件の変更があるときにも行う。

表4.01-4

液	エンドトキシン濃度	被添加液	試験管又はウエルの数
A ^{*1}	0	試料溶液	2以上
B ^{*2}	検量線の中点濃度 ^{*3}	試料溶液	2以上
C ^{*3}	3濃度以上	エンドトキシン試験用水	各濃度、2以上
D ^{*4}	0	エンドトキシン試験用水	2以上

^{*1} 試料溶液のみ(試料溶液のエンドトキシン濃度測定用)。最大有効希釈倍数を超えない範囲で希釈することができる。

^{*2} A液と同倍数で希釈された試料溶液で、検量線の中点又は中点付近のエンドトキシン濃度になるように標準エンドトキシンを添加したものの。

^{*3} 5.3.1.で用いた各種濃度のエンドトキシン標準溶液(検量線作成用)。

^{*4} 陰性対照。エンドトキシン試験用水のみ。

本試験は次の二つの条件に適合するとき、有効である。

1. C液で作成した検量線の相関係数の絶対値は0.980以上である。
2. D液の測定結果は、ライセート試薬に設定されている空試験の限度値を超えないか、又はエンドトキシンの検出限界未満である。

B液で測定されたエンドトキシン濃度とA液で測定されたエンドトキシン濃度の差に基づいて、B液の添加エンドトキシン濃度に対するエンドトキシンの回収率を計算する。添加エンドトキシンの回収率が50~200%の範囲にあるとき、反応干渉因子は試料溶液に存在しないと判定し、反応干渉因子試験に適合とする。

エンドトキシンの回収率が規定の範囲にないとき、試料溶液は反応干渉作用を有する。試料溶液に反応干渉作用が認められるとき、最大有効希釈倍数を超えない範囲で試料溶液を更に希釈し、試験を行う。なお、試料溶液又は最大有効希釈倍数を超えない範囲で希釈した試料溶液から反応干渉因子を除くために、適切な処理(ろ過、反応干渉因子の中和、透析又は加熱処理など)を施すことができる。ただし、処理によりエンドトキシンが損失しないことを保証するために、エンドトキシンを添加した試料溶液に当該の処理を施すことにより、上記の試験に適合する結果が得られることを確認する。

5.4. 定量

5.4.1. 操作法

表4.01-4に示すA、B、C及びD液を調製し、5.3.2.に準じて操作する。

5.4.2. エンドトキシン濃度の算出

C液で作成した検量線を用い、A液の平均エンドトキシン濃度を算出する。

本試験は次のすべての条件に適合するとき、有効である。

1. C液で作成した検量線の相関係数の絶対値は0.980以上である。
2. B液で測定されたエンドトキシン濃度とA液で測定されたエンドトキシン濃度の差に基づいて、B液の添加エンドトキシン濃度に対するエンドトキシンの回収率を計算するとき、その回収率は50~200%の範囲にある。
3. D液の結果が、ライセート試薬に設定されている空試験の

限度値を超えないか、又はエンドトキシンの検出限界未満である。

5.4.3. 判定

A液の平均エンドトキシン濃度に基づき、被検試料のエンドトキシンの濃度(EU/mL, EU/mg, EU/mEq又はEU/単位)を求め、その値が医薬品各条に規定されたエンドトキシン規格を満たすとき、被検試料はエンドトキシン試験に適合とする。

