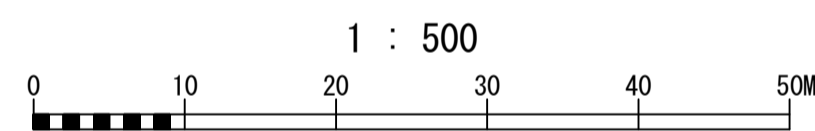
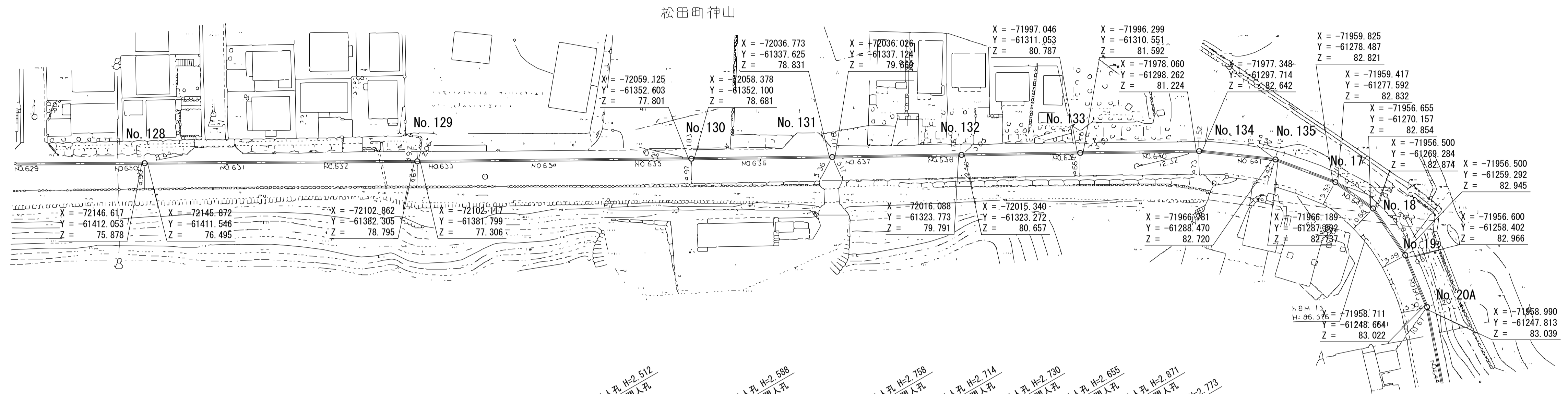
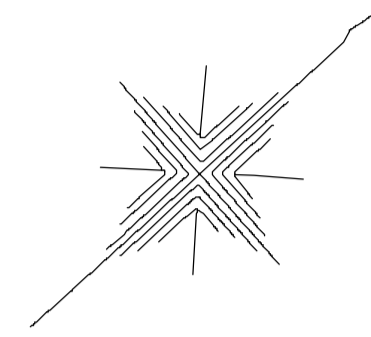


# 酒匂川流域下水道台帳

## 施設平面縦断図

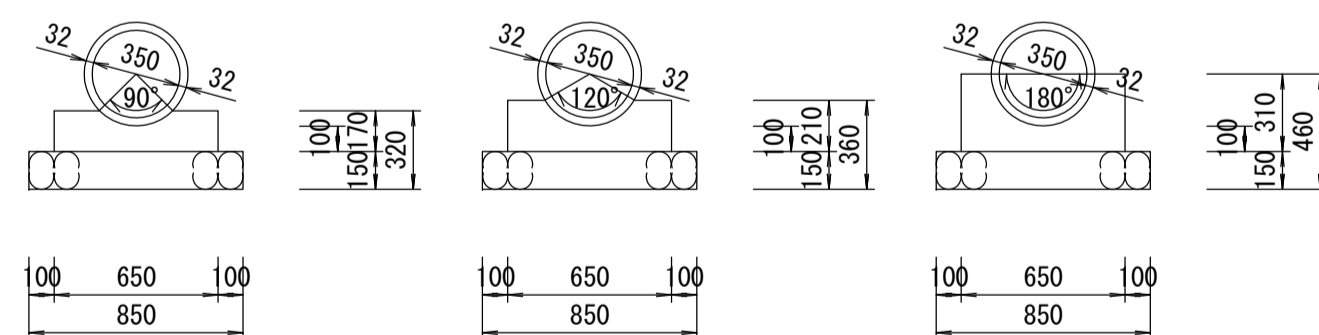
(図面番号 44)

幹線名 左岸幹線



管渠構造図 S=1:30

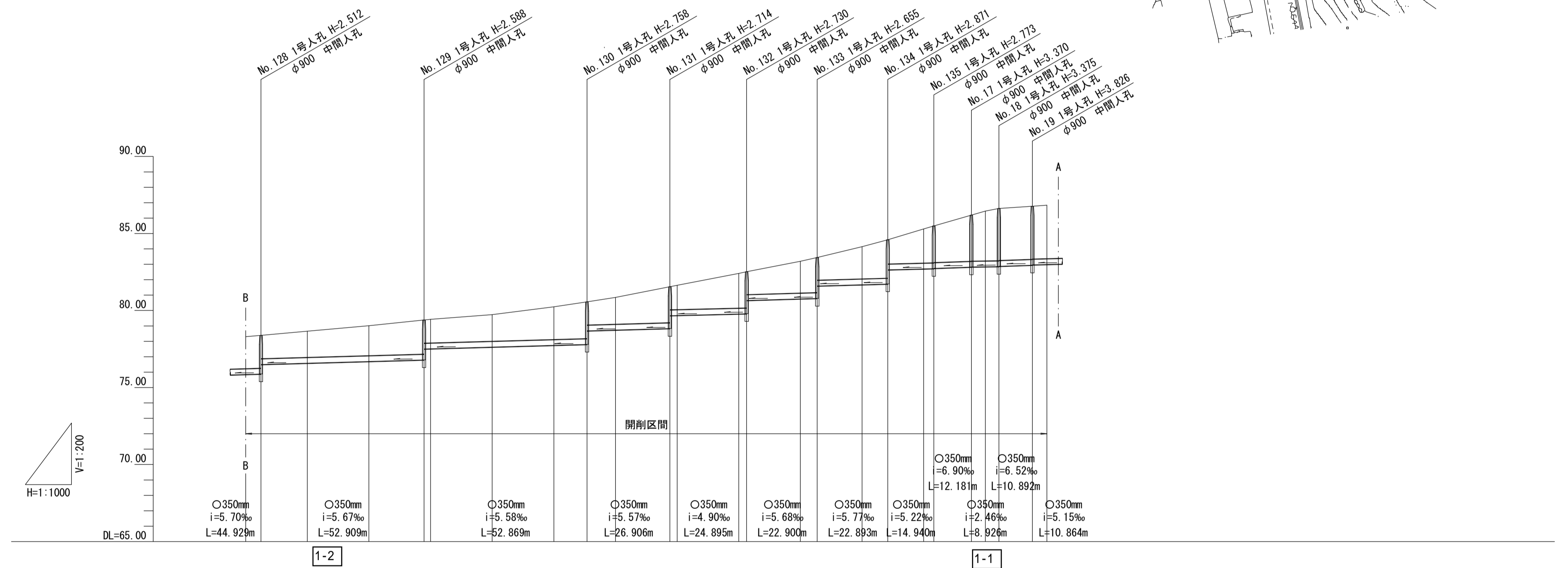
T U V



鉄筋コンクリート管  
外圧管 2 種 B 型

鉄筋コンクリート管  
外圧管 2 種 B 型

鉄筋コンクリート管  
外圧管 2 種 B 型



施工区	平成元年度 第1-1工区																									
	県道神縄・神山線																									
占用区間	T U V																									
管渠築造																										
土被り	2.130 1.513		2.206 1.436		2.376 1.466	2.332 1.484	2.348 1.482	2.273 1.468	2.489 1.571	2.391 2.374	2.988 2.977	3.393 3.373	3.444 3.423													
地盤高	78.288 78.390	78.659	79.017	79.383 79.426	79.734	80.244	80.559 80.851	81.545 81.637	82.410 82.521	83.196 83.442	84.142	84.595	85.288 85.483	86.191 86.454	86.629	86.771 86.836										
管底高	75.878 76.495	76.795 77.506	77.801 78.681	78.831 79.669	79.791 80.657	80.787 81.592	81.724 82.642	82.720 82.737	82.821 82.832	82.854 82.874	82.945 82.966															
追加距離	0.000 4.979	12600.000 12604.979	15.021 12620.000	20.000 12640.000	17.888 12657.888	2.112 12660.000	20.000 12680.000	20.000 12700.000	10.757 12710.757	9.245 12720.000	17.663 12737.663	2.337 12740.000	20.000 12760.000	2.558 12762.558	17.442 12780.000	5.458 12785.458	14.542 12800.000	8.351 12808.351	11.649 12820.000	3.291 12823.291	12.181 12835.472	4.528 12840.000	4.398 12844.398	10.892 12855.290	4.710 12860.000	
区間距離																										
測点	No.630 +4.979	No.631	No.632	+17.888 No.633	No.634	No.635	+10.757 No.636	+17.663 No.637	+2.558 No.638	+5.458 No.639	+8.351 No.640	+3.291 No.641	+15.472 No.642	+4.398 No.643	+15.290 No.643											

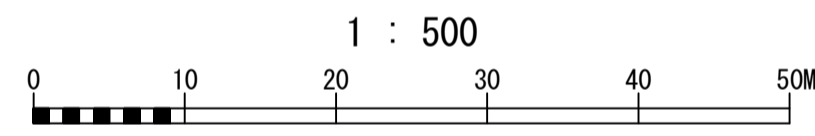
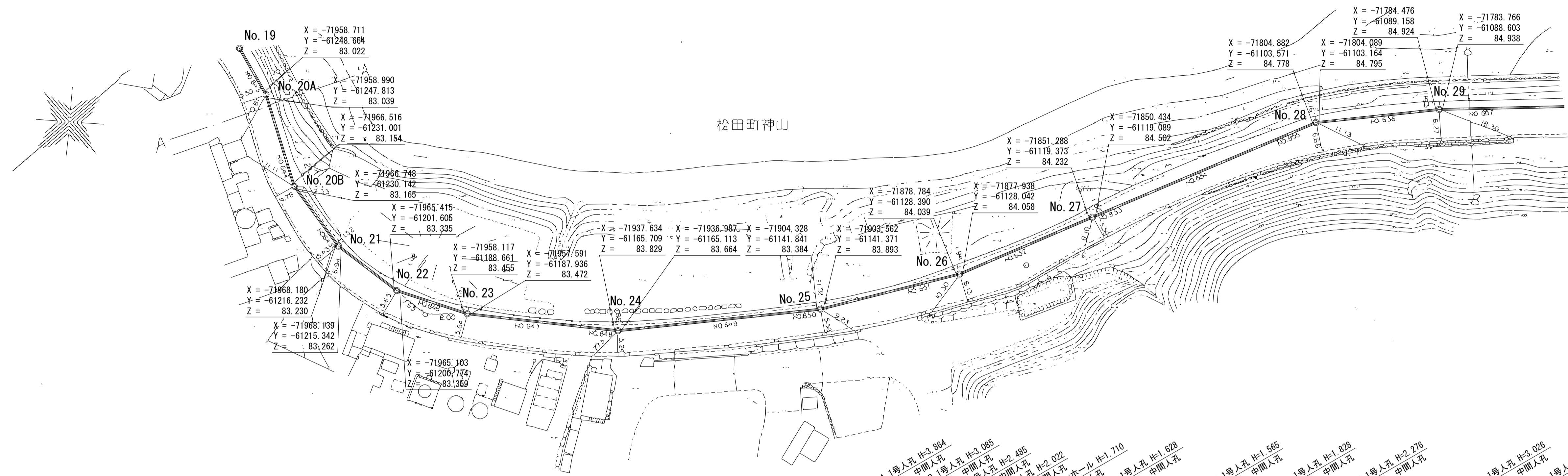
調整  
年月  
平成  
3  
年  
3  
月  
ページ

# 酒匂川流域下水道台帳

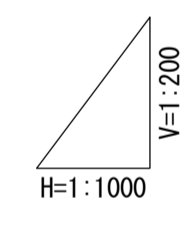
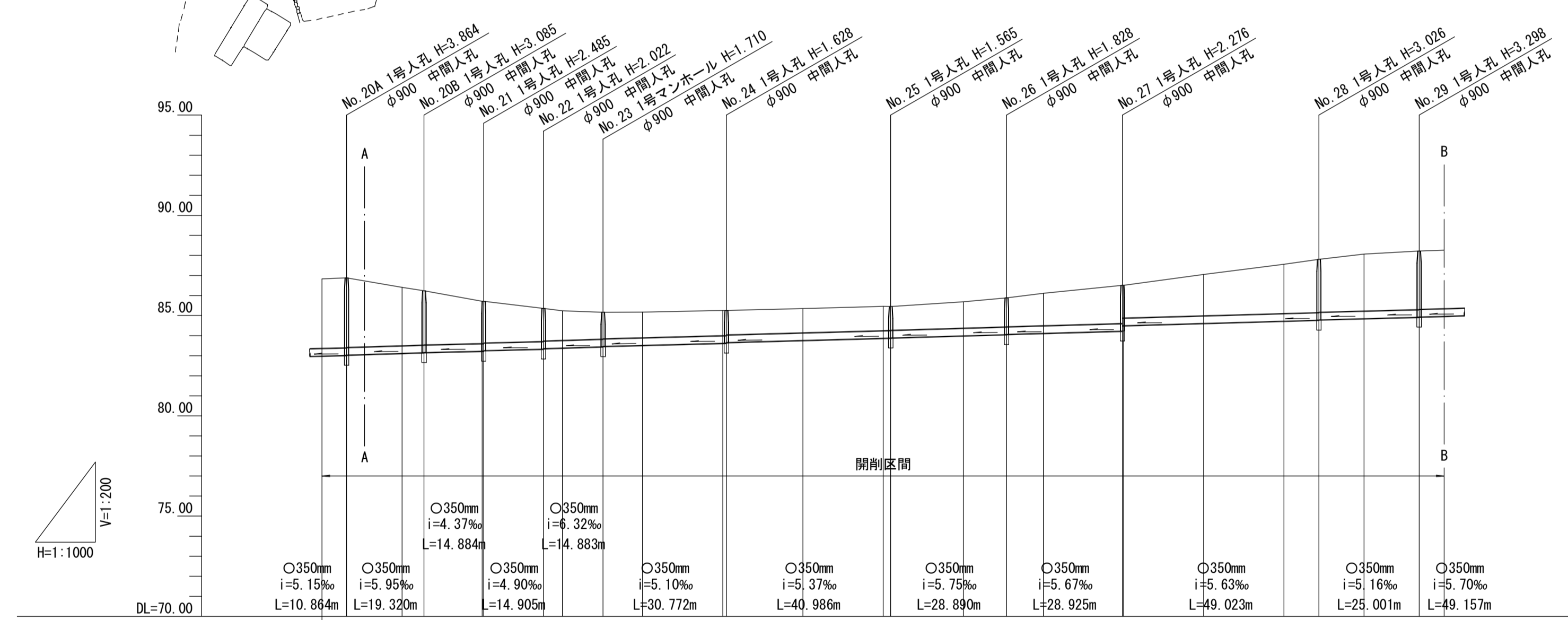
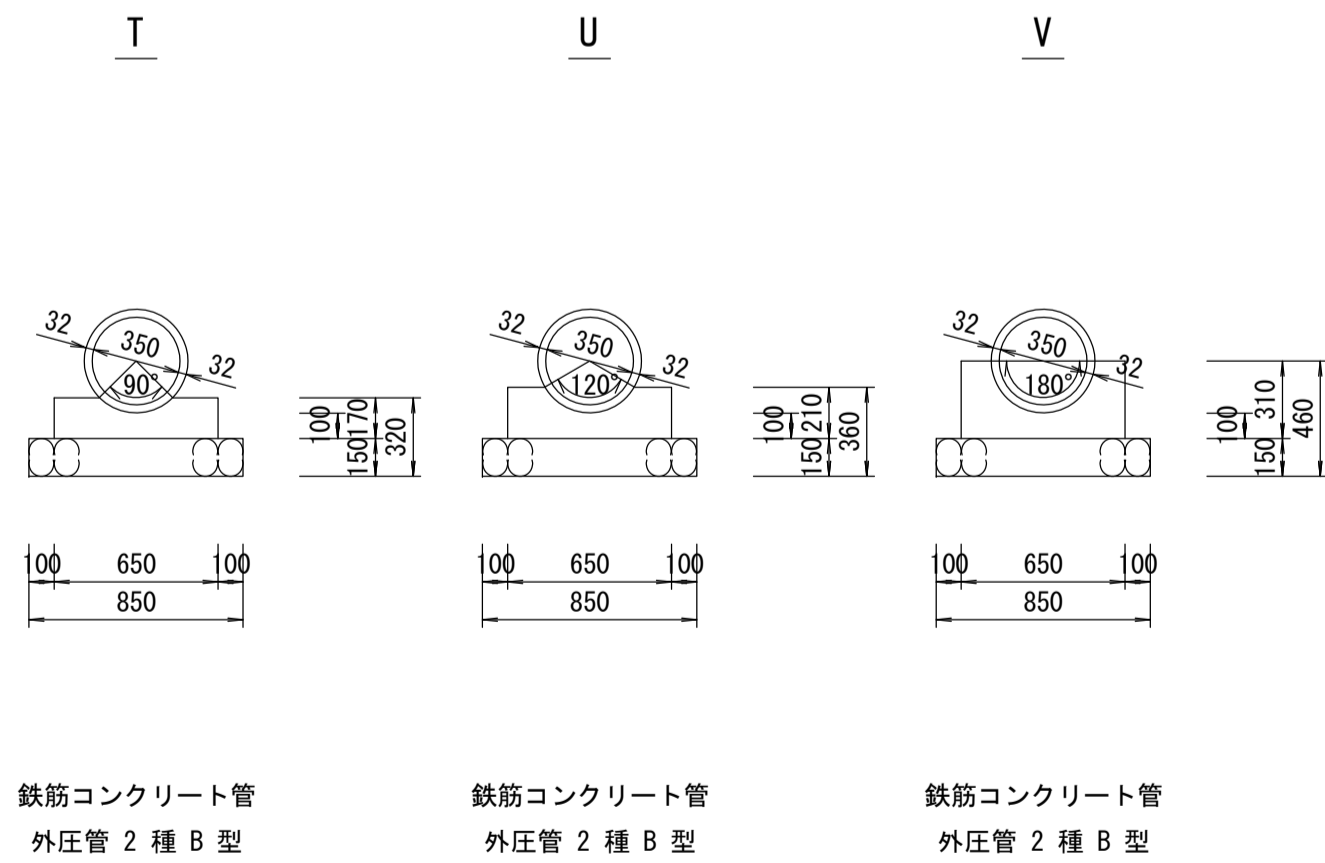
## 施設平面縦断図

(図面番号 45)

幹線名 左岸幹線



管渠構造図 S=1:30



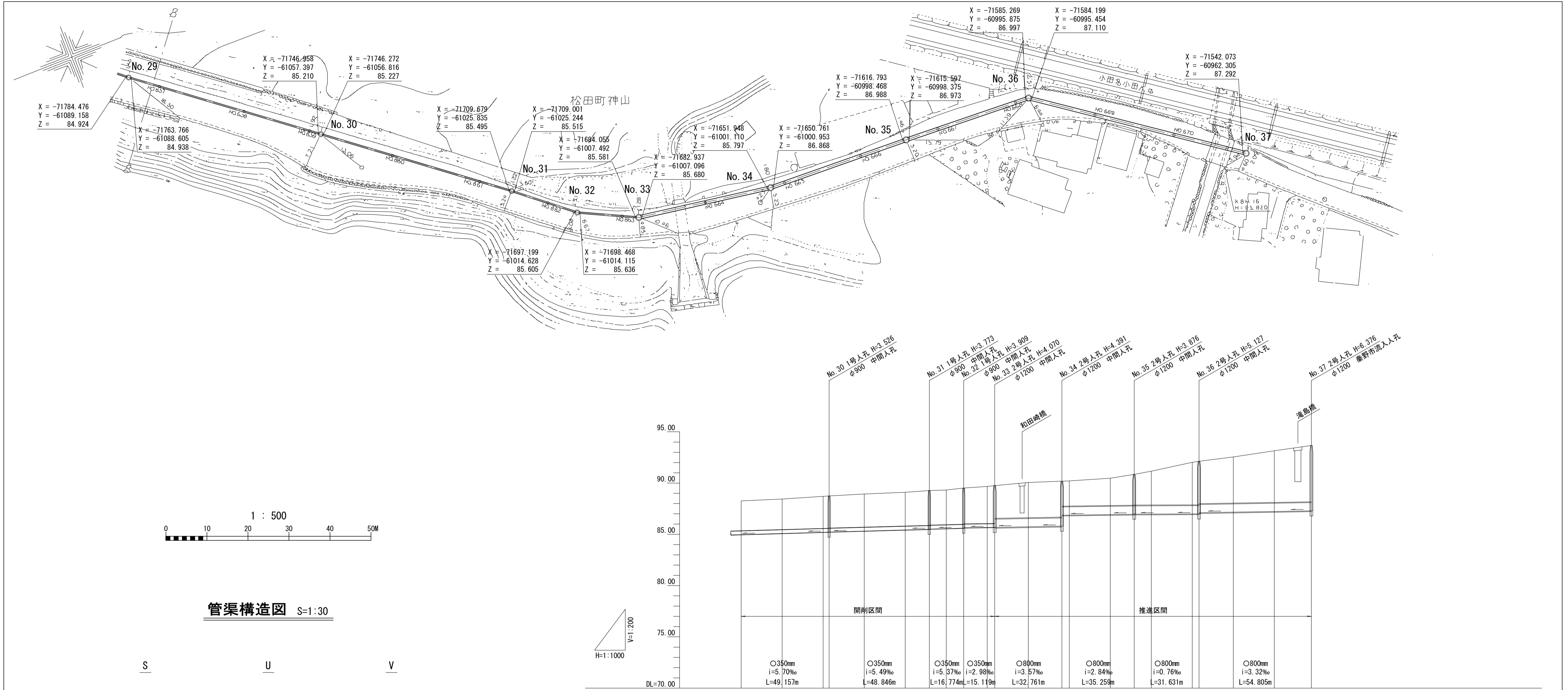
測点	平成元年度 第1-1工区													
	V			T					U					
No. 643	0.000	12860.000	83.022	3.462	3.465	2.703	2.103	1.640	1.246	1.183	1.446	1.894	2.644	2.916
+6.154	6.154	12866.154	83.039	2.703	2.692	2.103	1.616	1.246	1.211	1.174	1.437	1.824	2.627	2.902
No. 644	13.846	12880.000	83.154	86.411	86.239	85.715	85.240	85.163	85.257	85.459	85.887	86.508	87.804	88.222
+5.474	5.474	12885.474	83.165	86.239	86.067	85.543	85.068	84.991	85.077	85.279	85.707	86.328	87.624	88.042
No. 645	14.526	12900.000	83.230	85.715	85.543	85.019	84.544	84.467	84.553	84.755	85.183	85.804	87.100	87.518
+0.358	0.358	12900.358	83.262	85.543	85.371	84.847	84.372	84.295	84.381	84.583	85.011	85.632	86.928	87.346
+15.263	14.905	12915.263	83.335	85.019	84.847	84.323	83.848	83.771	83.857	84.059	84.487	85.108	86.404	86.822
No. 646	4.737	12920.000	83.359	84.467	84.295	83.771	83.296	83.219	83.305	83.507	83.935	84.556	85.852	86.270
+10.146	10.146	12930.146	83.432	83.848	83.676	83.152	82.677	82.600	82.686	82.888	83.316	83.937	85.233	85.651
No. 647	9.854	12940.000	83.472	83.296	83.124	82.600	82.125	82.048	82.134	82.336	82.764	83.385	84.681	85.099
No. 648	20.000	12960.000	83.629	82.600	82.428	81.904	81.429	81.352	81.438	81.640	82.068	82.689	83.985	84.403
+0.918	0.918	12960.918	83.664	82.428	82.256	81.732	81.257	81.180	81.266	81.468	81.896	82.517	83.813	84.231
No. 649	19.082	12980.000	83.788	81.732	81.560	81.036	80.561	80.484	80.570	80.772	81.200	81.821	83.117	83.535
No. 650	20.000	13000.000	83.884	81.036	80.864	80.340	79.865	79.788	79.874	80.076	80.504	81.125	82.421	82.839
+1.904	1.904	13001.904	83.893	80.864	80.692	80.168	79.693	79.616	79.702	79.904	80.332	80.953	82.249	82.667
No. 651	18.096	13020.000	84.059	80.340	80.168	79.644	79.169	79.092	79.178	79.380	79.808	80.429	81.725	82.143
+10.794	10.794	13030.794	84.068	80.168	80.000	79.476	78.999	78.922	79.008	79.210	79.638	80.259	81.555	81.973
No. 652	9.206	13040.000	84.222	79.644	79.476	78.952	78.477	78.400	78.486	78.688	79.116	79.737	81.033	81.451
+19.719	19.719	13059.719	84.252	79.476	79.304	78.780	78.305	78.228	78.314	78.516	78.944	79.565	80.861	81.279
No. 653	0.281	13060.000	84.502	78.952	78.780	78.256	77.781	77.704	77.790	77.992	78.420	79.041	80.337	80.755
No. 654	20.000	13080.000	84.656	78.400	78.228	77.704	77.229	77.152	77.238	77.440	77.868	78.489	80.000	80.418
No. 655	20.000	13100.000	84.776	77.924	77.752	77.228	76.753	76.676	76.762	76.964	77.392	78.013	79.524	79.942
+8.742	8.742	13108.742	84.795	77.752	77.580	77.056	76.581	76.504	76.590	76.792	77.220	77.841	79.352	79.770
No. 656	11.258	13120.000	84.924	77.228	77.056	76.532	76.057	75.980	76.066	76.268	76.696	77.317	78.828	79.246
+13.743	13.743	13133.743	84.938	77.056	76.884	76.360	75.885	75.808	75.894	76.096	76.524	77.145	78.656	79.074
No. 657	6.257	13140.000	85.000	76.532	76.360	75.836	75.361	75.284	75.370	75.572	76.000	76.621	78.132	78.550

# 酒匂川流域下水道台帳

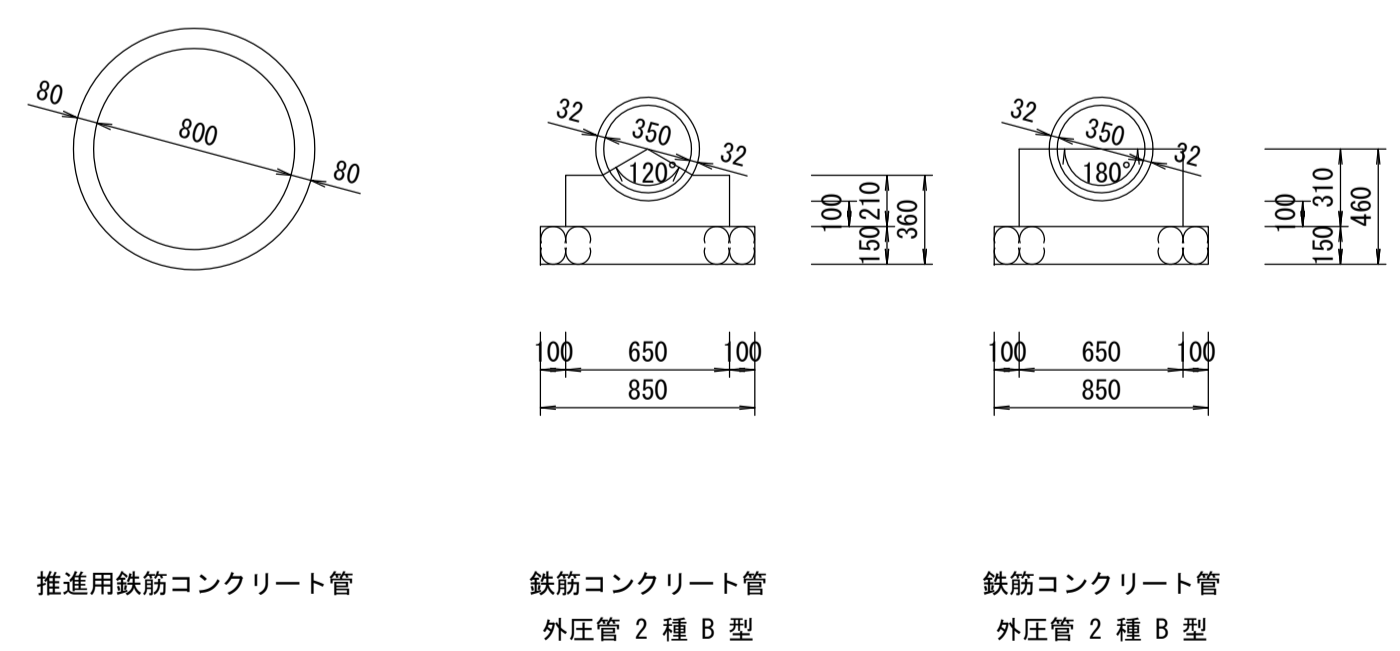
## 施設平面縦断図

(図面番号 46)

幹線名 左岸幹線



管渠構造図 S=1:30



施工区	平成元年度 第1-I区																						
占用区間	県道神縄・神山線																						
管渠築造	U			V				S															
土被り			3.44	3.135		3.391	3.371	3.57	3.466	3.688	3.191	3.511	2.440	2.986	2.991	4.247	4.134		5.496				
地盤高	88.266	88.438	88.704	88.744	88.936	89.104	89.268	89.325	89.514	89.672	89.751	90.061	90.188	90.211	90.477	90.844	91.157	92.024	92.124	92.552	93.151	93.668	
管底高			85.218	85.227		85.495	85.515	85.605	85.636	85.681	85.680	85.797	86.868	86.968	86.973	86.997	87.110						87.292
追加距離	0.000	13140.000	13180.000	13182.900	13200.000	13220.000	13231.746	13240.000	13246.520	13260.000	13263.639	13280.000	13296.400	13300.000	13320.000	13331.659	13340.000	13360.000	13363.290	13380.000	13400.000	13418.095	
区間距離	0.000	20.000	20.000	2.900	17.100	20.000	11.746	8.254	8.520	11.480	3.639	16.361	16.400	3.600	20.000	11.659	8.341	20.000	3.290	16.710	20.000	18.095	
測点	No. 657	No. 658	No. 659	+2.900	No. 660	No. 661	+11.746	No. 662	+8.520	No. 663	+3.639	No. 664	+16.400	No. 665	No. 666	+11.659	No. 667	No. 668	+3.290	No. 669	No. 670	+18.095	