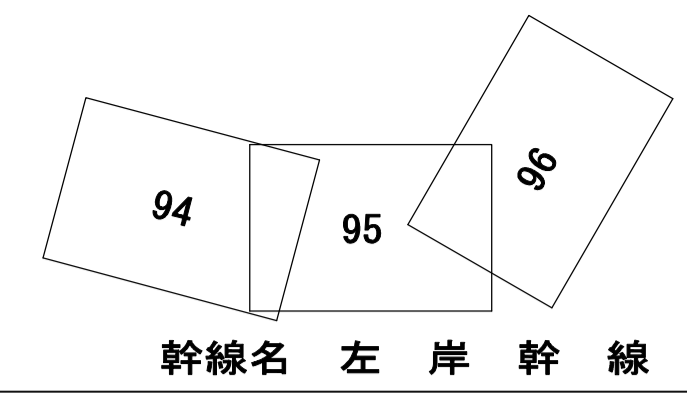


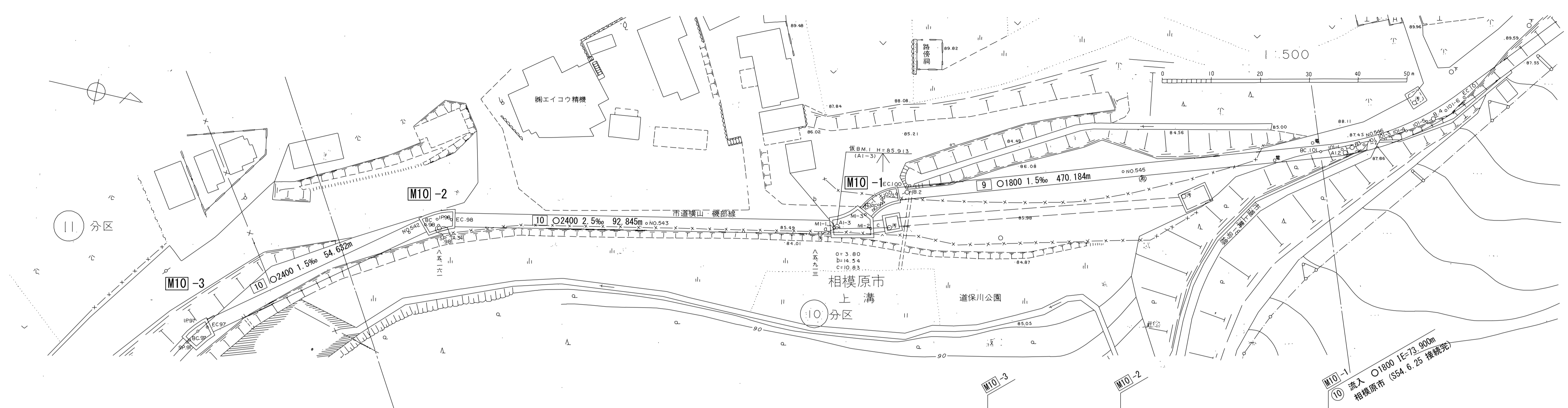
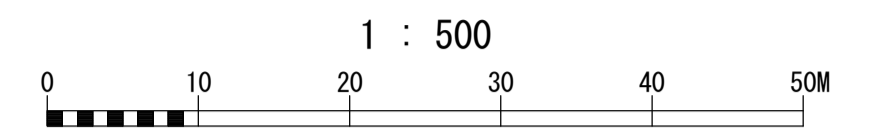
相模川流域下水道台帳

施設平面縦断図 (図面番号 95)



幹線名 左岸幹線

財産区分コード	大分類	中分類	小分類	整理番号
GA	管渠施設	管渠	第10-1 9工区	73.74

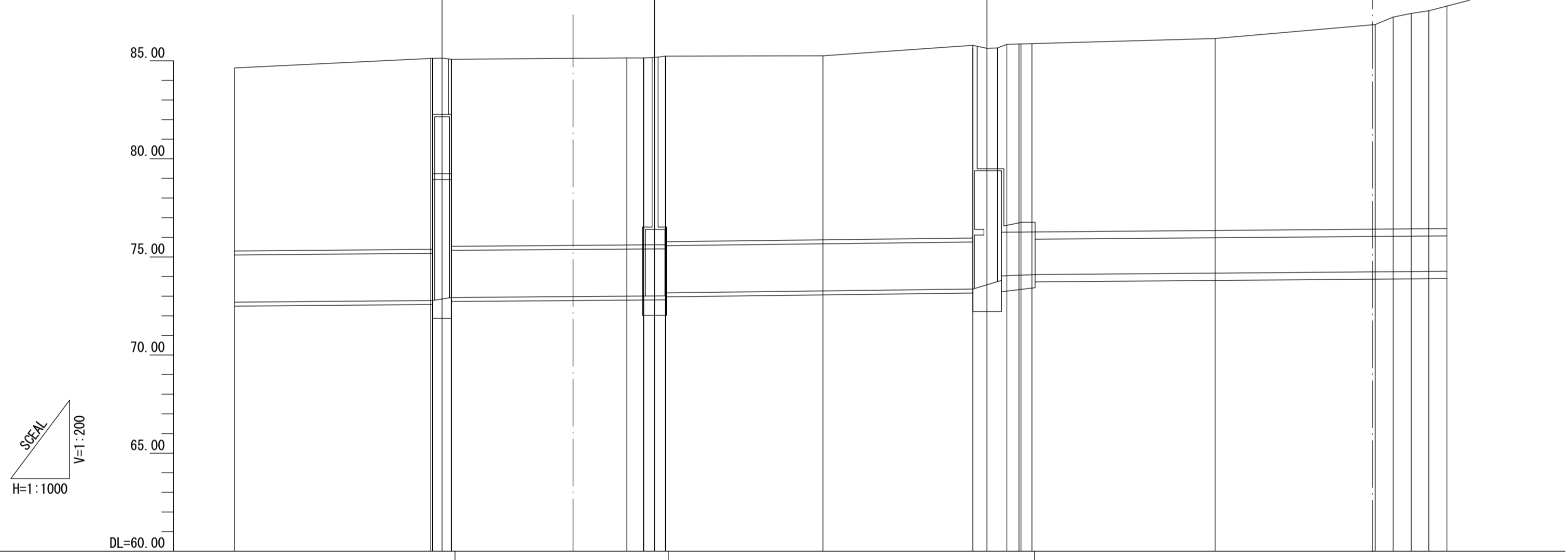
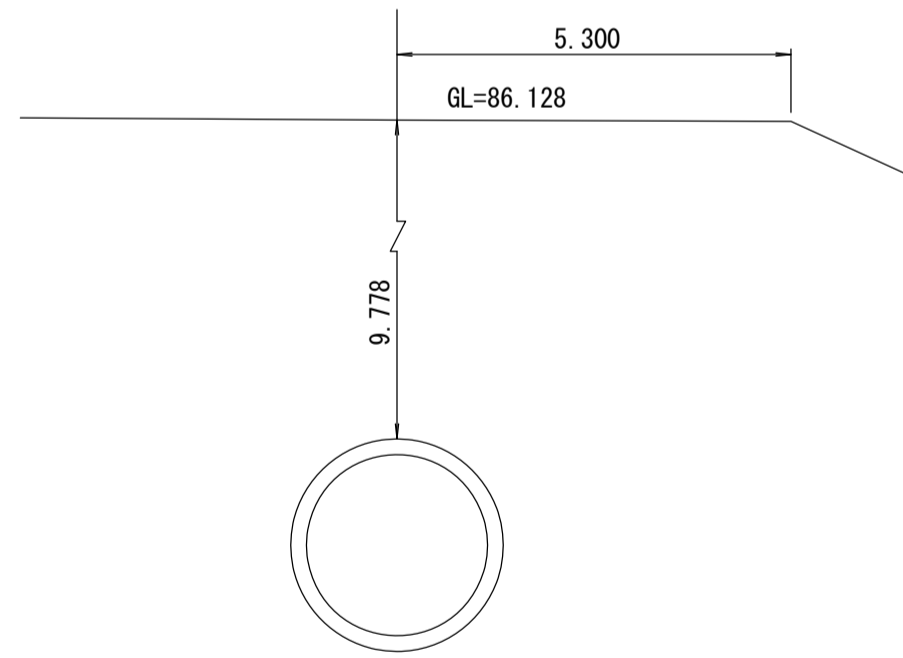


測点座標値

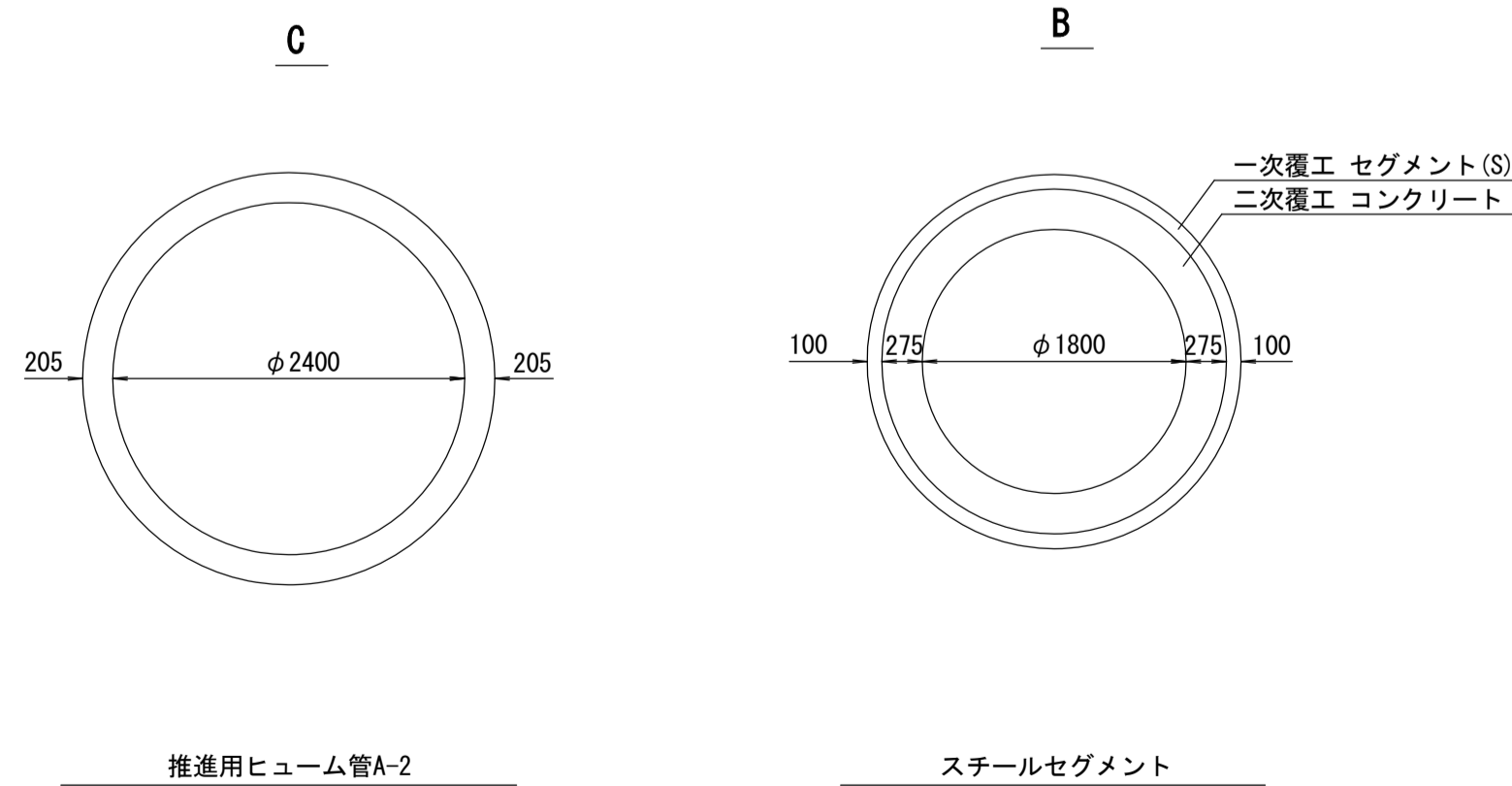
点名	X	Y	点名	X	Y
A1-2	-50065.702	-41668.265	EC.100	-50153.390	-41639.558
A1-3	-50163.381	-41629.403	NO.543	-50109.242	-41653.815
M-1	-50163.670	-41629.381	BC.101	-50070.674	-41667.145
B-1	-50157.496	-41635.105	IO1-1	-50066.418	-41668.775
B-2	-50151.249	-41639.350	IO1-2	-50062.257	-41670.724
B-3	-50064.423	-41669.684	NO.546	-50062.221	-41670.744
B-4	-50049.639	-41679.218	IO1-3	-50059.299	-41672.900
M1-1	-50164.301	-41628.899	IO1-4	-50054.451	-41675.480
M1-2	-50156.851	-41630.470	IO1-5	-50050.836	-41678.333
NO.544	-50158.574	-41632.908	IO1-6	-50047.493	-41681.523
NO.544	-50156.105	-41636.740	EC.101	-50044.448	-41684.911
100-2	-50155.781	-41637.121			

横断図 S=1:100

NO. 545 (市道横山・磯部線)



管渠構造図 S=1:50

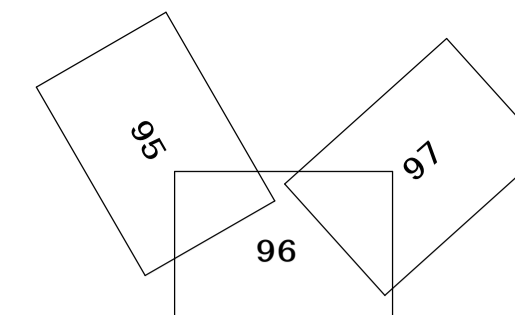


施工工区	10-2工区 L=163.516m		10-1工区 L=153.350m		9工区 L=873.099m	
	③5 相模原市道横山・磯部線					
占用区間	④7 道保川公園 相模原市					
管渠築造	④6 相模原市道横山・磯部線					
土盛り	9.731		9.533		9.381	
地盤高	84.636	85.119 85.134 85.134	85.138 85.143 85.143	85.163 85.233 85.233	85.253	85.782 85.630 85.648 85.838 85.838 85.838 85.838 85.838 85.838
管底高	72.695	72.783 72.784 72.784	73.000 73.006 73.006	73.169	73.267	73.361 73.810 74.035 74.035 74.035 74.035 74.035 74.035 74.035
追加距離	32.614	27073.422 0.440 0.101 2.335 2.336 0.101	27123.422 4.192 0.122 2.754 2.754 0.122	27133.367 27133.367	27175.422	27211.656 3.686 2.664 2.447 0.501 2.789
区間距離	32.614	50.000 0.440 0.101 2.335 2.336 0.101	44.687 4.192 0.122 2.754 2.754 0.122	40.055	40.055	38.234 3.686 2.664 2.447 0.501 2.789
測点	No. 540	No. 541 +0.440 86.97 86.97 86.97 86.97 +8.313	No. 542 +4.192 86.98 86.98 86.98 86.98 +8.945	No. 543	No. 543	86.99 87.00 M10-2 SP.99 M1-3 NO.546 100-2 EC.100

地形図
作成
年月
昭和
63
年
3
月
調整
年月
平成
元年
3
月
ページ
29

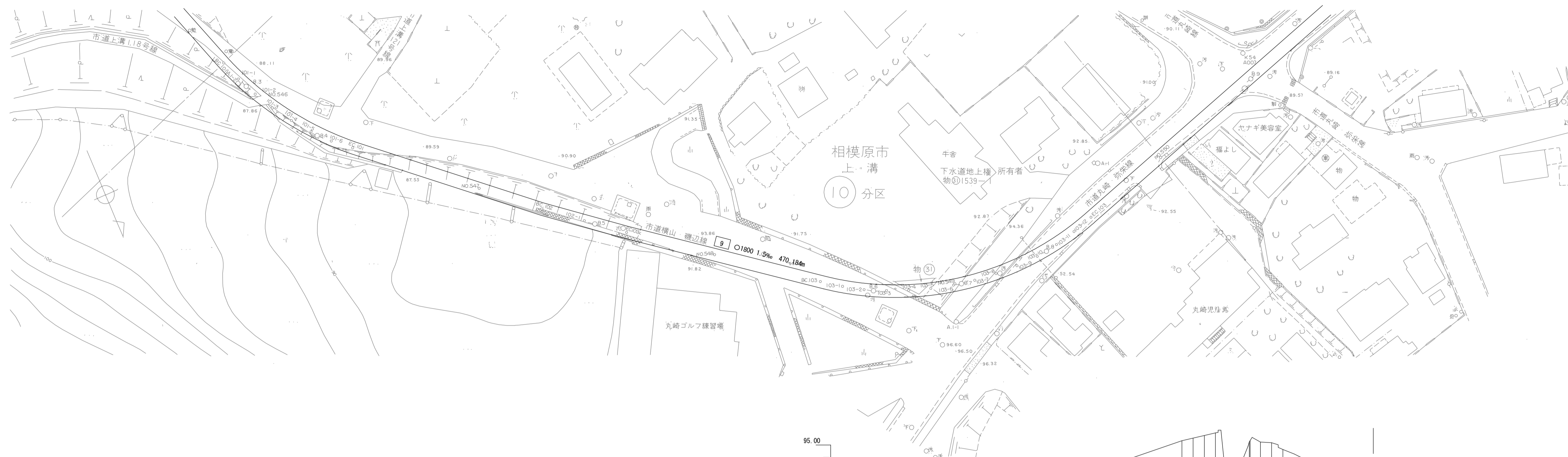
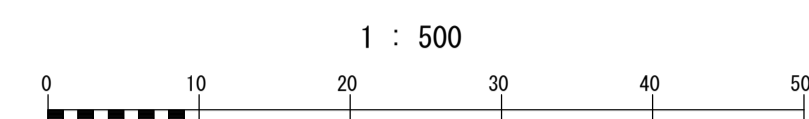
相模川流域下水道台帳

施設平面縦断図 (図面番号 96)



幹線名 左岸幹線

財産区分コード	大分類	中分類	小分類	整理番号
GA	管渠施設	管渠	第9工区	74

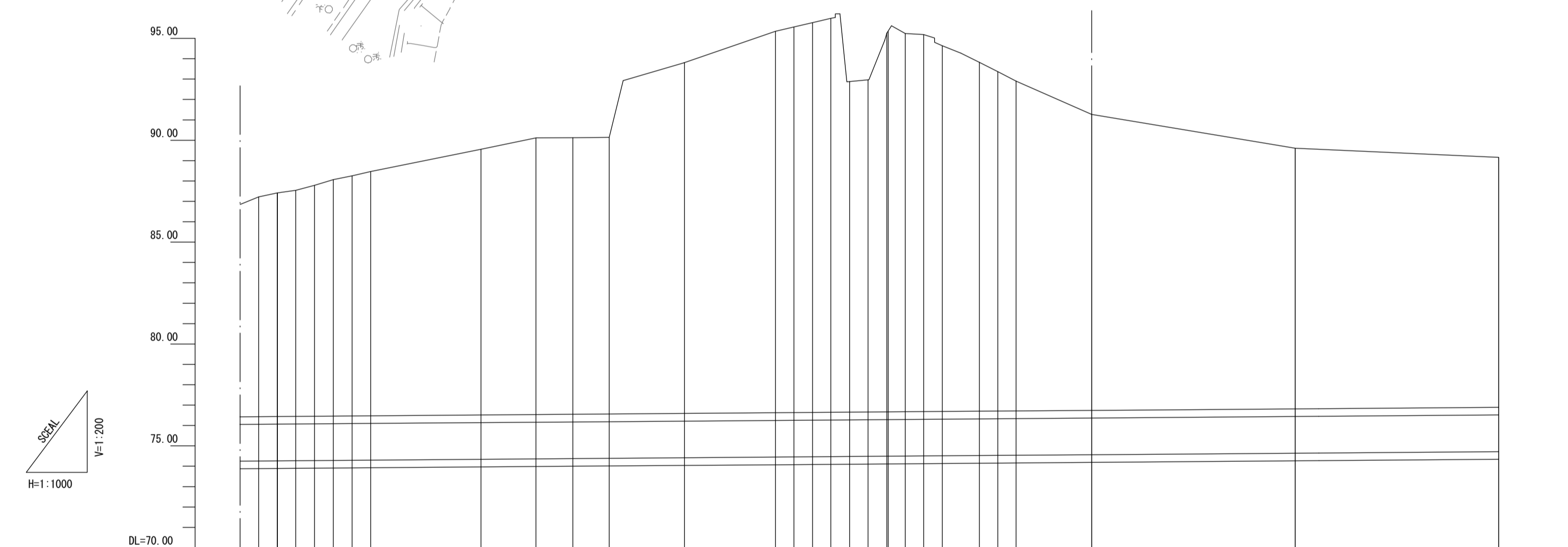
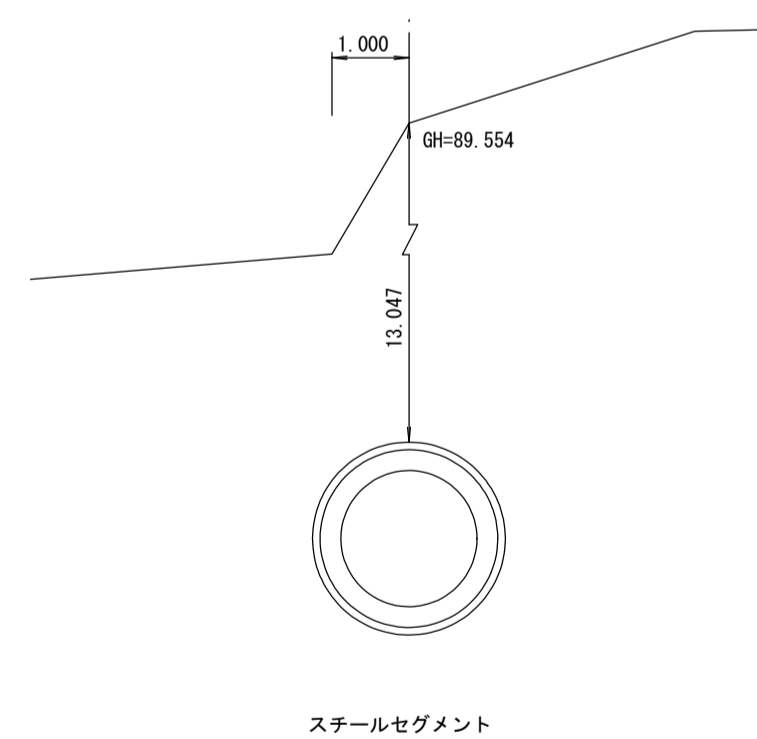


測点座標値

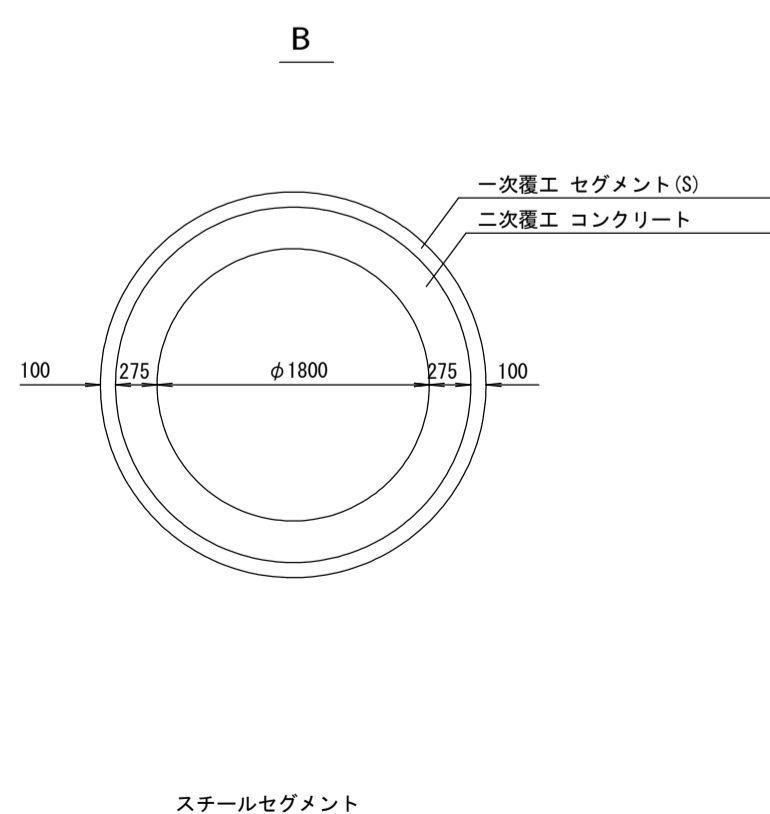
測点	X	Y	点名	X	Y
A-1	-49883.169	-41824.351	BC.103	-49882.567	-41762.695
A1-1	-49864.496	-41785.127	103-1	-49979.959	-41766.432
A1-2	-50065.702	-41666.265	103-2	-49977.610	-41770.322
B-4	-50049.639	-41679.216	103-3	-49975.673	-41774.389
B-5	-50011.132	-41724.684	103-4	-49974.042	-41778.681
B-6	-49976.662	-41771.964	103-5	-49972.648	-41783.017
B-7	-49971.134	-41789.100	103-6	-49971.525	-41787.492
B-8	-49970.574	-41807.704	NO.549	-49971.471	-41787.797
101-4	-50054.451	-41675.480	103-7	-49970.730	-41791.941
101-5	-50050.838	-41678.333	103-8	-49970.294	-41796.459
101-6	-50047.493	-41681.523	103-9	-49970.127	-41801.031
EC.101	-50044.448	-41684.911	103-10	-49970.373	-41805.604
NO.547	-50026.902	-41705.577	103-11	-49971.054	-41810.077
BC.102	-50018.166	-41715.867	103-12	-49972.038	-41814.465
102-1	-50012.522	-41722.915	EC.103	-49973.445	-41818.743
EC.102	-50007.028	-41729.992	NO.550	-49979.421	-41836.327
NO.548	-49995.939	-41744.817			

横断図 S=1:100

NO.547 (市道横山・磯部線)



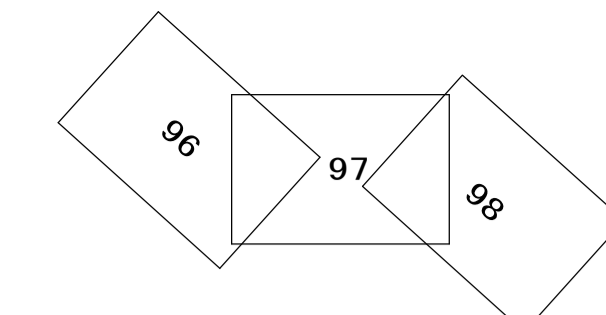
管渠構造図 S=1:50



施工区	9工区 L=873.099m																															
	46 相模原市道横山・磯部線 物 31					46 相模原市道丸崎・勢求線																										
占用区間	B																															
管渠構造	B																															
土 被 り	11.005		13.047		17.309		18.856		14.539	12.791	12.207																					
地 盤 高	86.844	87.224	87.414	87.544	87.794	88.064	88.464	89.554	90.114	90.124	90.144	93.975	95.351	95.561	95.771	95.981	92.881	92.961	92.971	95.521	95.541	94.641	94.270	93.820	93.370	92.900	91.270	88.606	88.159			
管 渠 高	74.250	74.247	74.234	74.205	74.272	74.291	74.291	74.332	74.352	74.362	74.376	74.401	74.450	74.461	74.469	74.473	74.478	74.487	74.489	74.489	74.468	74.541	74.519	74.519	74.522	74.522	74.531	74.537	74.556	74.640	74.717	
追加距離	27314.229	27318.787	27323.422	27327.898	27332.531	27337.155	27341.757	27346.312	27350.920	27355.650	27360.409	27365.192	27369.999	27374.827	27379.676	27384.546	27389.437	27394.349	27399.282	27404.236	27409.212	27414.210	27419.230	27424.271	27429.333	27434.415	27439.517	27444.639	27449.781	27454.943	27460.125	27465.327
区間距離	46.807	4.598	0.941	4.476	4.633	4.604	4.622	4.555	27.110	13.468	9.000	8.959	18.513	22.325	4.557	4.544	4.504	4.555	4.613	4.510	4.510	4.525	4.525	4.525	4.525	4.497	4.503	18.572	50.000	50.000		
測 点	BC.101	101-1	NO.546	101-3	101-4	101-5	101-6	EC.101	NO.547	BC.102	102-1	EC.102	NO.548	BC.103	103-1	103-2	103-3	103-4	103-5	NO.549	103-7	103-8	103-9	103-10	103-11	103-12	EC.103	NO.550	NO.551	NO.552		

相模川流域下水道台帳

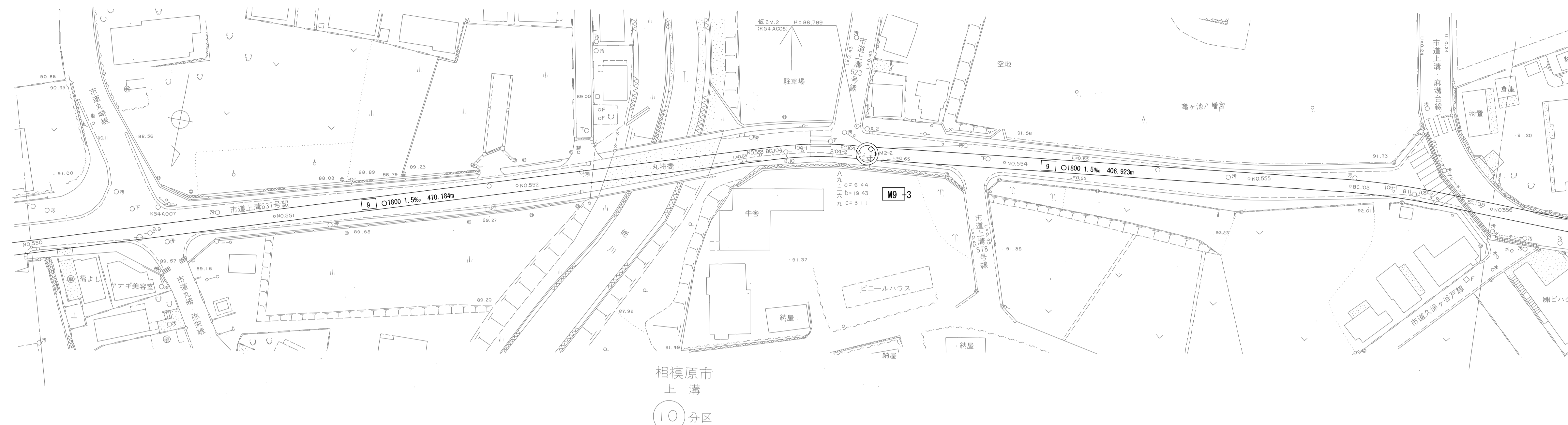
施設平面縦断図 (図面番号 97)



幹線名 左岸 幹線

財産区分コード	大分類	中分類	小分類	整理番号
GA	管渠施設	管渠	第9工区	74

1:500



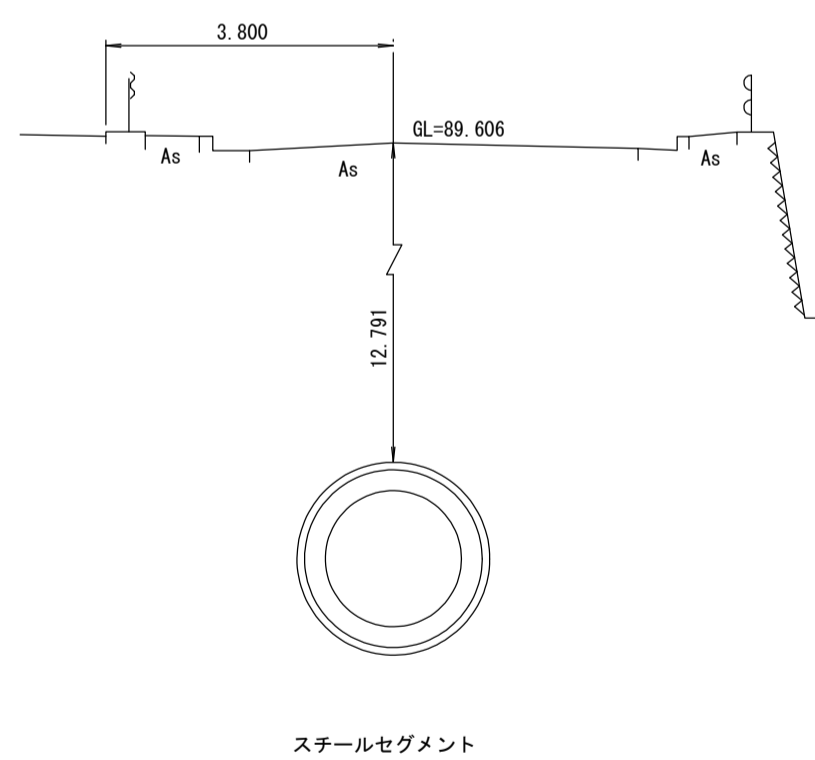
相模原市
上溝
10 分区

測点座標値

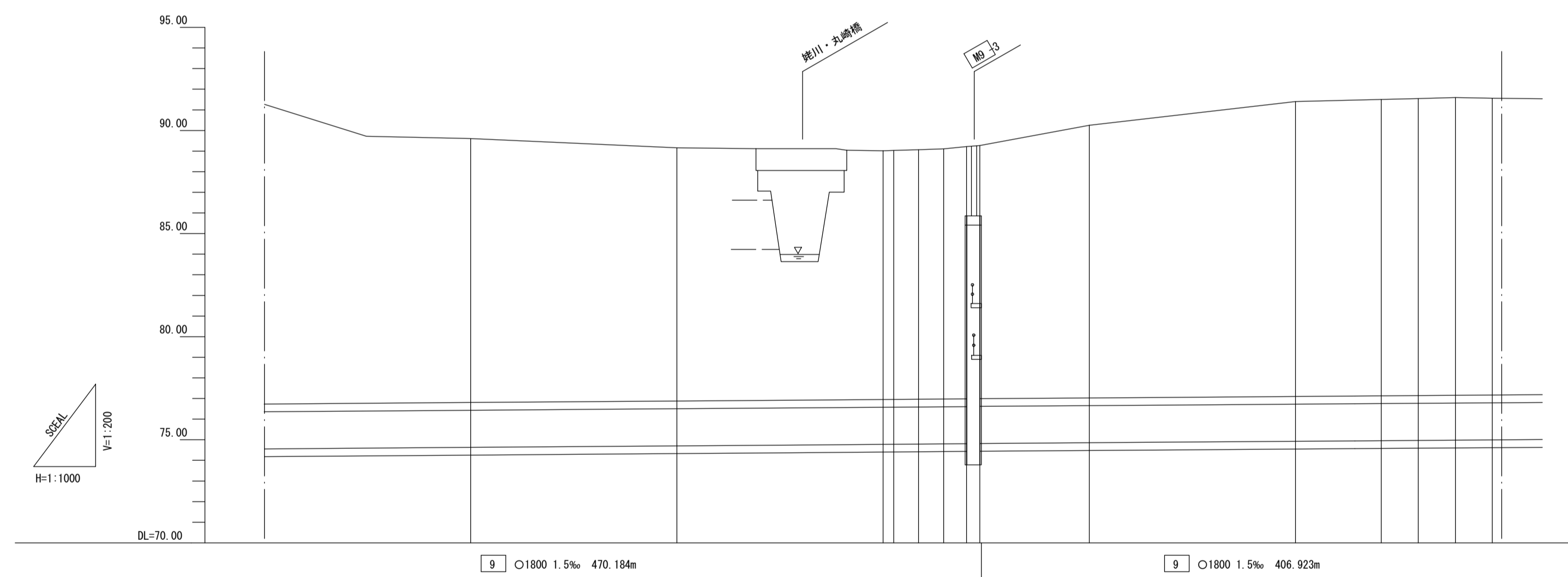
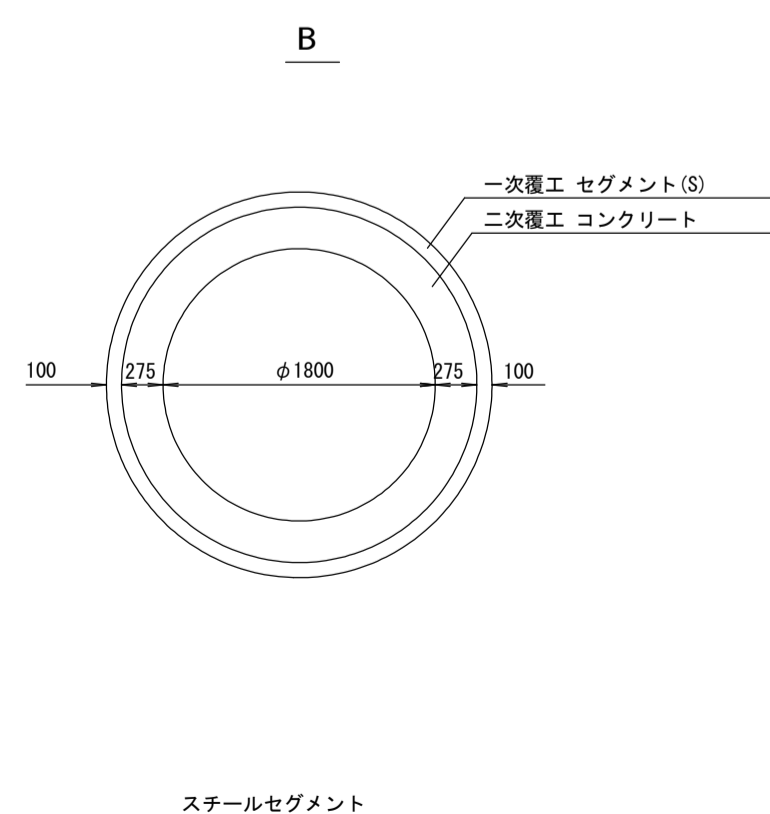
点名	X	Y	点名	X	Y
A-1	-49983.169	-41824.351	104-1	-50030.207	-41986.573
K544007	-49992.656	-41860.195	104-2	-50031.512	-41992.524
A-2	-50037.276	-41998.622	EC 104	-50032.179	-41998.032
B-9	-49987.212	-41859.475	M2-2	-50032.629	-42001.231
B-10	-50029.275	-41983.325	NO.554	-50036.171	-42027.520
M-2	-50032.920	-42000.072	NO.555	-50042.848	-42077.072
B-11	-50046.668	-42110.858	BC.105	-50045.623	-42097.661
NO.550	-49979.421	-41836.327	105-1	-50046.352	-42106.614
NO.551	-49995.510	-41883.668	105-2	-50046.736	-42115.611
NO.552	-50011.599	-41931.008	EC.105	-50046.827	-42124.568
NO.553	-50027.688	-41978.349	NO.556	-50046.809	-42126.847
BC.104	-50028.515	-41980.781			

横断面 S=1:100

NO. 551 (市道上溝637号線)



管渠構造図 S=1:50



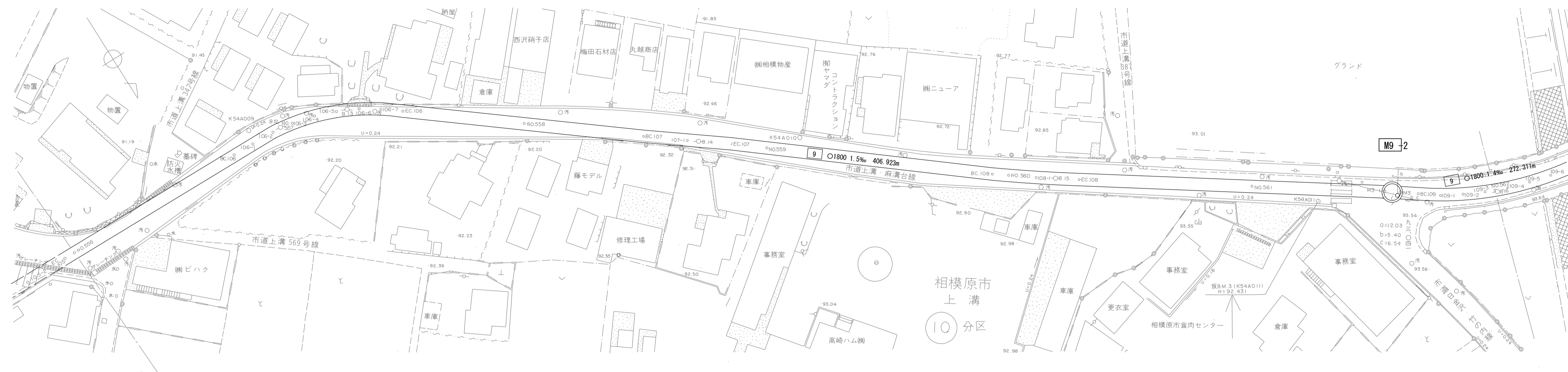
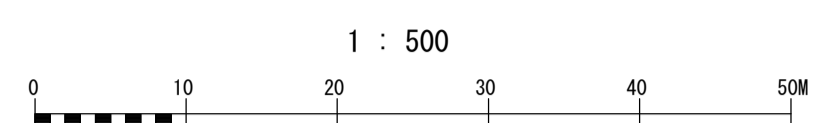
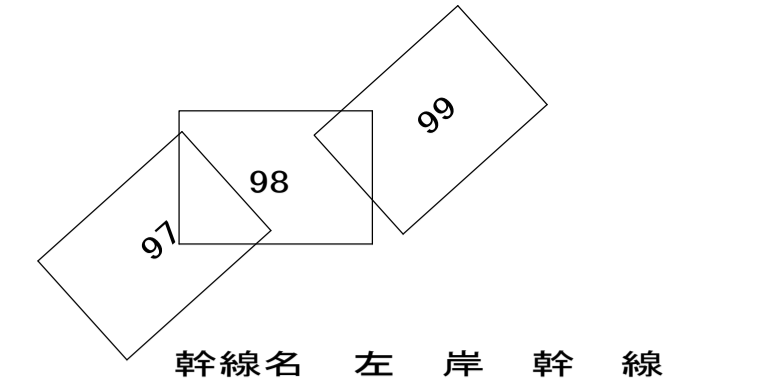
施工工区	9工区 L=873.099m	
	46 相模原市道丸崎・弥栄線	48 蛇川
占用区間	46 相模原市道上溝637号線	46 相模原市道上溝637号線
管渠構造	8	
土被り	14.539	12.791
地盤高	91.270	89.606
管底高	74.556	74.640
追加距離	27823.422	27823.422
区間距離	18.572	50.000
測点	No. 550	No. 551

地形図作成年月
昭和63年3月
調整年月
平成元年3月
ページ
31

相模川流域下水道台帳

施設平面縦断面図 (図面番号 98)

財産区分コード	大分類	中分類	小分類	整理番号
GA	管渠施設	管渠	第9区 8工区	74.75

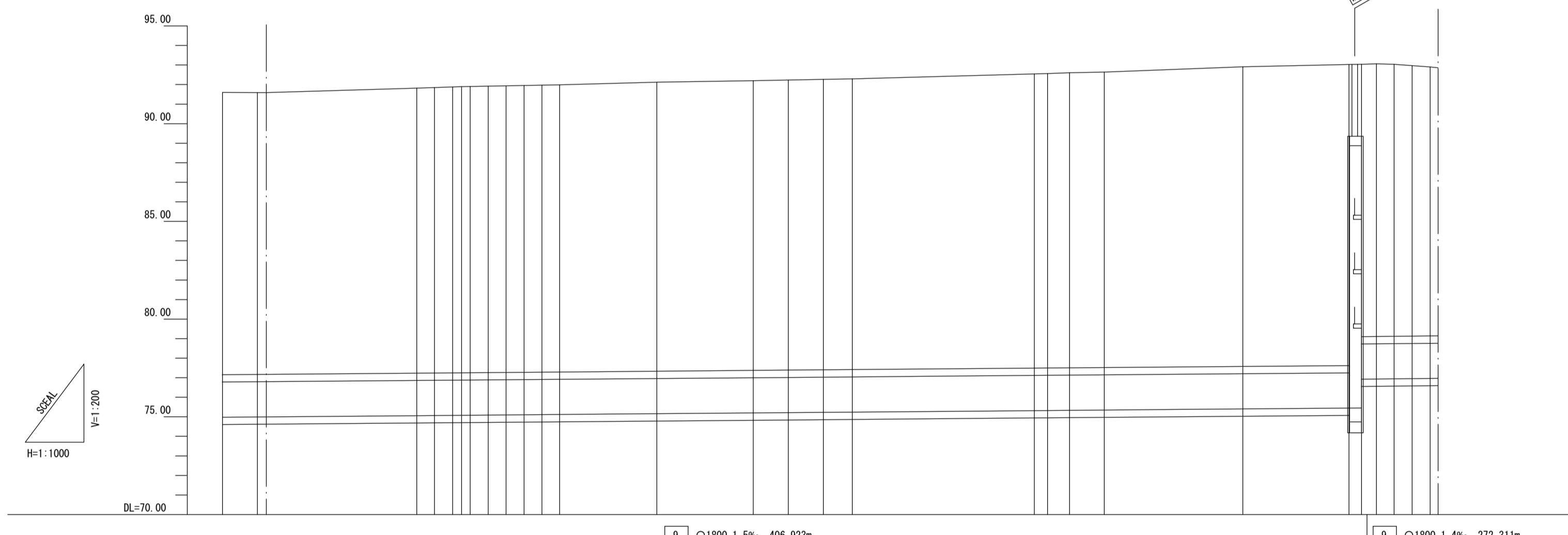
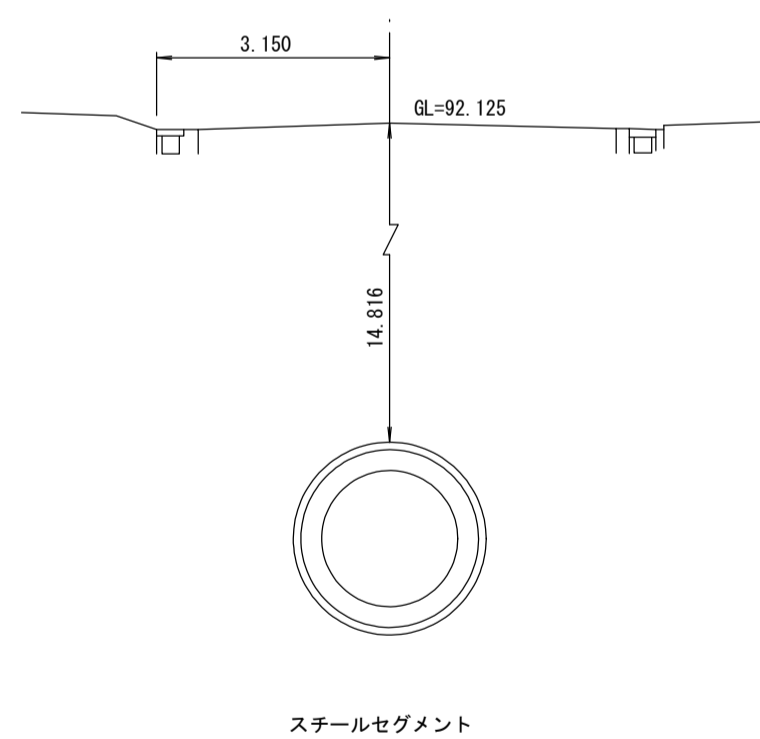


測点座標値

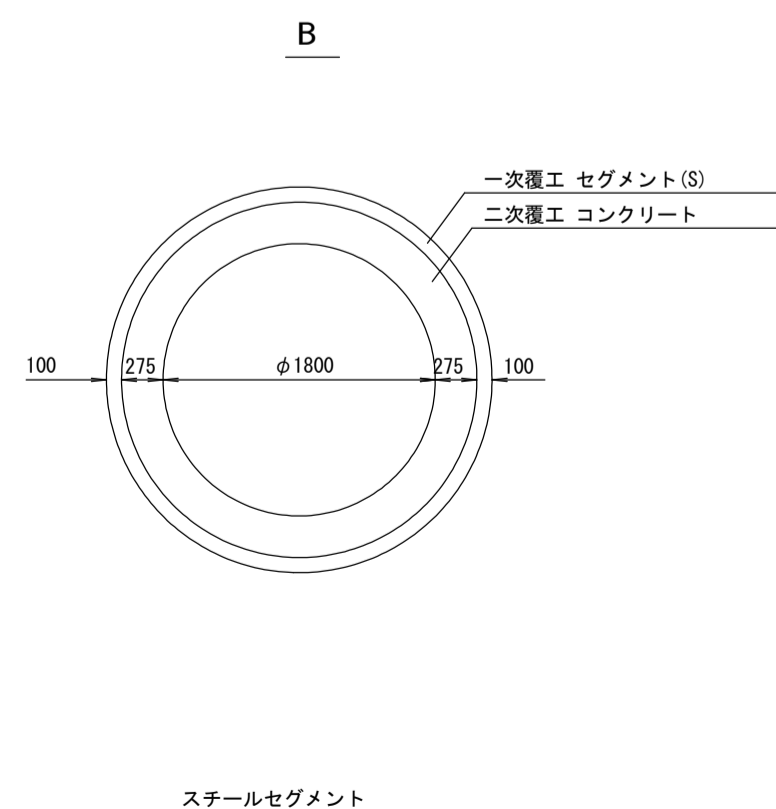
点名	X	Y	点名	X	Y
K54A009	-50049.093	-42170.344	106-7	-50038.566	-42195.802
K54A010	-49988.236	-42265.670	EC.106	-50035.874	-42199.453
K54A011	-49920.878	-42348.962	NO.558	-50020.543	-42219.069
B-11	-50046.668	-42110.858	BC.107	-50005.261	-42238.494
B-12	-50046.197	-42176.507	107-1	-49999.900	-42245.640
B-13	-50042.171	-42189.996	EC.107	-49994.594	-42252.881
B-14	-49998.544	-42247.518	NO.559	-49990.007	-42258.657
B-15	-49953.418	-42305.699	BC.108	-49961.001	-42295.178
M-3	-49913.849	-42363.063	NO.560	-49959.006	-42297.883
B-16	-49903.389	-42381.139	108-1	-49955.666	-42302.411
B-17	-49899.073	-42399.114	EC.108	-49950.625	-42309.760
105-1	-50046.352	-42106.614	NO.561	-49930.680	-42339.082
105-2	-50046.736	-42115.611	M3-1	-49915.388	-42351.563
EC.105	-50046.827	-42124.568	M3-2	-49913.514	-42364.166
NO.556	-50046.809	-42126.847	BC.109	-49911.208	-42367.217
BC.106	-50046.495	-42165.346	109-1	-49908.652	-42370.941
106-1	-50046.451	-42169.870	109-2	-49906.365	-42374.959
106-2	-50046.239	-42174.553	109-3	-49904.399	-42379.117
NO.557	-50045.942	-42176.822	NO.562	-49903.660	-42381.018
106-3	-50045.661	-42178.974	109-4	-49902.712	-42383.458
106-4	-50044.573	-42183.475	109-5	-49901.354	-42387.889
106-5	-50043.032	-42187.779	109-6	-49900.218	-42392.354
106-6	-50040.993	-42191.932			

横断面図 S=1:100

NO. 558 (市道上溝・麻溝台線)



管渠構造図 S=1:50



施工区	9区 L=873.099m										8区 L=820.028m									
	46 相模原市道上溝・麻溝台線																			
占用区間	市道上溝673号																			
管渠構造	B																			
土被り	14.416		14.653		14.816		14.904		15.099		15.381		13.718							
地盤高	91.595	91.565	91.585	91.817	91.857	91.877	92.125	92.185	92.235	92.265	92.295	92.643	92.913	93.079	93.039	92.659	92.659			
管底高	74.877	74.897	74.994	75.054	75.064	75.084	75.134	75.171	75.182	75.194	75.216	75.304	75.357	75.444	75.448	76.866	76.866			
追加距離	27812.186	27821.143	27823.422	27861.922	27866.446	27871.134	27873.422	27884.734	27892.222	27893.422	27893.422	28020.061	28023.422	28029.048	28037.659	28073.422	28123.422			
区間距離	9.006	8.857	2.279	38.500	4.524	4.688	2.288	2.230	4.571	4.637	4.569	4.536	24.897	24.654	8.893	8.877	7.376			
測点	105-2	EC.105	NO.556	85.106	106-1	106-2	106-3	106-4	106-5	106-6	106-7	EC.106	NO.558	86.107	107-1	EC.107	NO.559			
測点													NO.561	M3-1	M3-2	86.109	108-1	108-2	108-3	NO.562

地形図
作成
年月

昭和
63
年
3
月

調整
年月

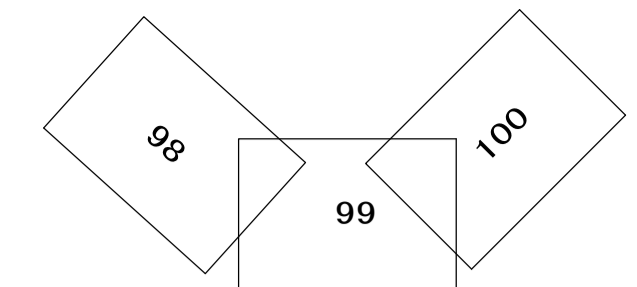
平成
元年
3
月

ページ
32

相模川流域下水道台帳

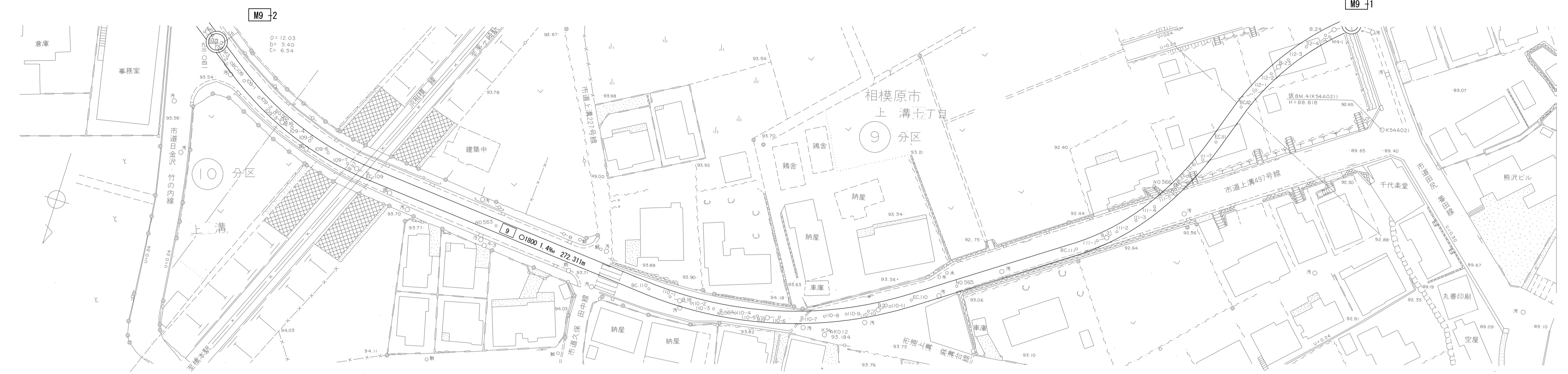
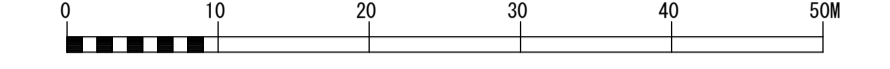
施設平面縦断面図 (図面番号 99)

財産区分コード	大分類	中分類	小分類	整理番号
GA	管渠施設	管渠	第 8 工区	75



幹線名 左岸幹線

1 : 500

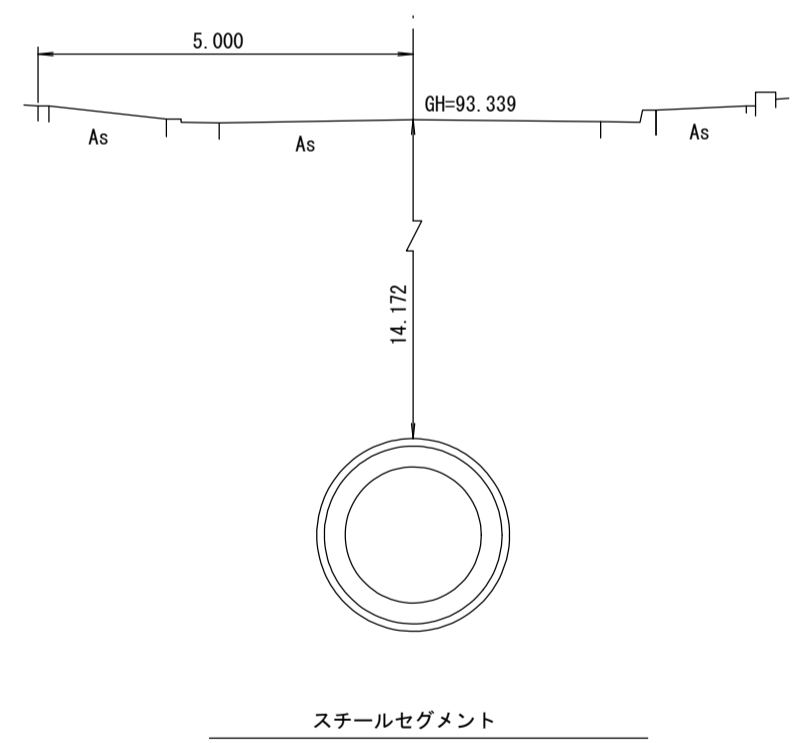


測点座標値

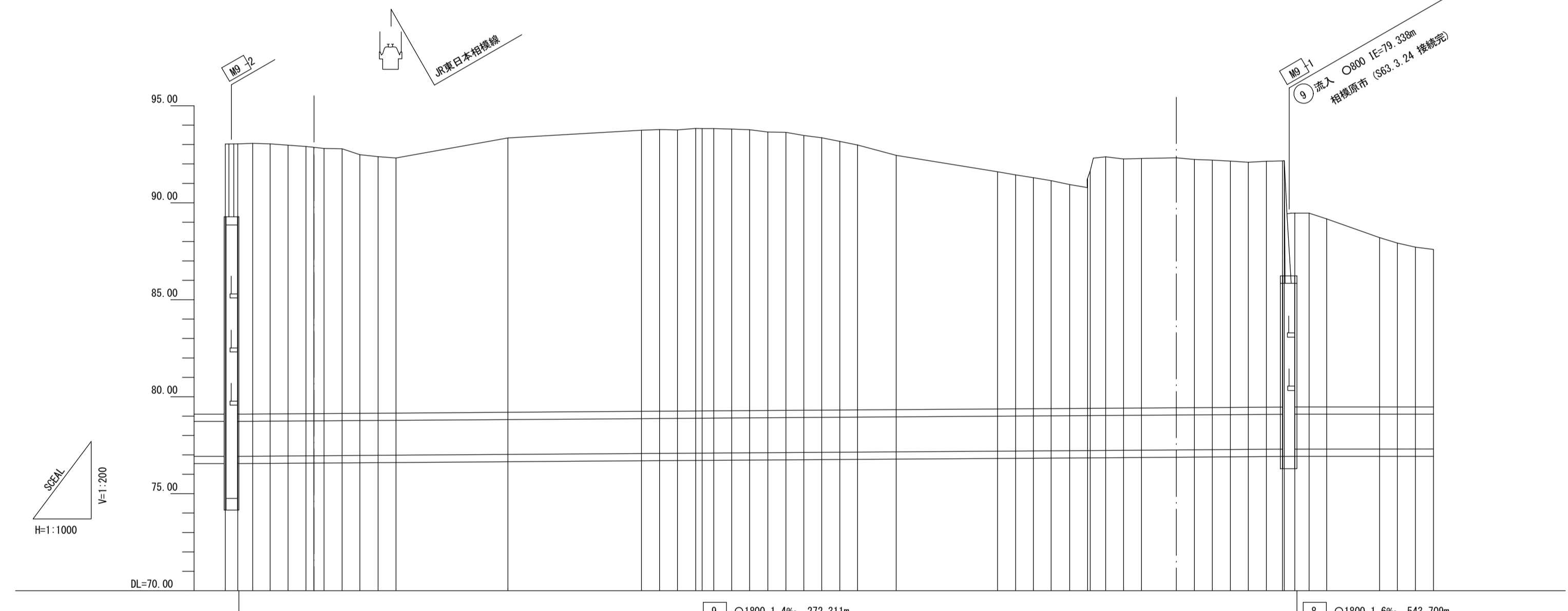
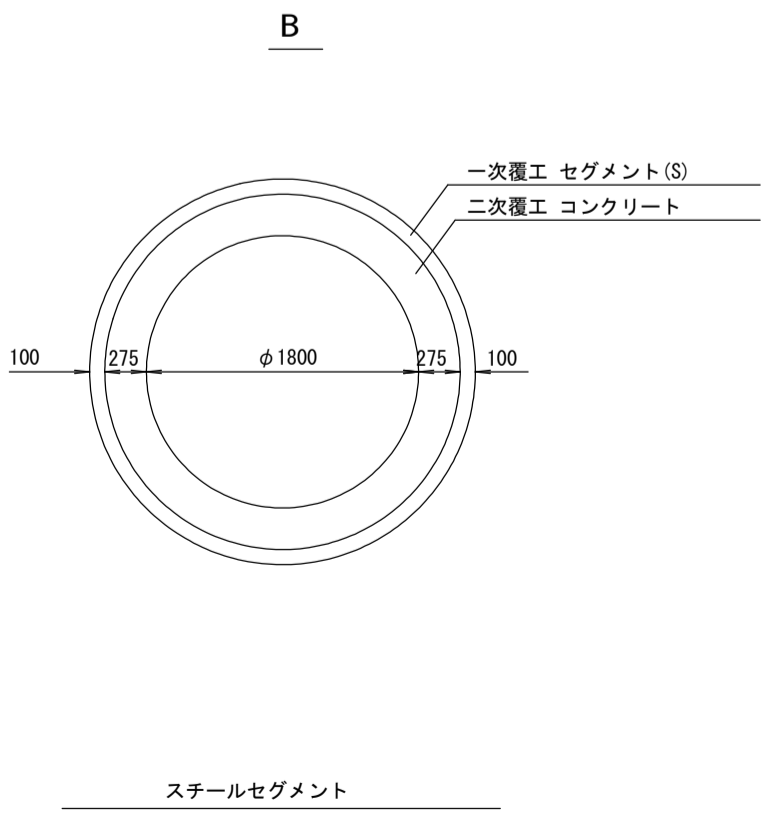
点名	X	Y	点名	X	Y
A - 3	-49892.709	-42429.267	I10 - 3	-49895.724	-42478.617
KS4AK12	-49898.073	-42502.354	NO.564	-49895.956	-42490.251
KS4A021	-49976.090	-42598.379	I10 - 4	-49896.392	-42483.252
A - 4	-49940.113	-42636.016	I10 - 5	-49897.332	-42487.772
B - 16	-49903.389	-42381.139	I10 - 6	-49898.554	-42492.222
B - 17	-49899.073	-42399.114	I10 - 7	-49900.050	-42496.651
B - 18	-49895.026	-42471.568	I10 - 8	-49901.744	-42500.992
B - 19	-49897.663	-42489.919	I10 - 9	-49903.670	-42505.202
B - 20	-49906.642	-42511.249	I10 - 10	-49905.782	-42509.297
B - 21	-49936.304	-42551.408	I10 - 11	-49908.163	-42513.302
B - 22	-49951.389	-42562.105	EC.110	-49910.737	-42517.086
B - 23	-49981.451	-42573.632	NO.565	-49915.615	-42525.086
B - 24	-49992.618	-42582.191	B.C.111	-49932.090	-42546.149
BC.109	-49911.205	-42367.217	I11 - 1	-49935.014	-42549.788
I09 - 1	-49908.652	-42370.941	I11 - 2	-49938.208	-42553.035
I09 - 2	-49906.365	-42374.959	I11 - 3	-49941.724	-42555.973
I09 - 3	-49904.399	-42379.117	I11 - 4	-49945.653	-42558.673
NO.562	-49903.660	-42381.018	I11 - 5	-49949.648	-42560.991
I09 - 4	-49902.712	-42383.458	NO.566	-49950.250	-42561.292
I09 - 5	-49901.354	-42387.889	I11 - 6	-49953.828	-42563.084
I09 - 6	-49900.218	-42392.354	I11 - 7	-49958.073	-42564.912
I09 - 7	-49899.379	-42396.966	EC.111	-49962.417	-42566.424
EC.109	-49898.889	-42401.546	BC.112	-49970.965	-42569.089
NO.563	-49897.219	-42430.344	I12 - 1	-49975.331	-42570.786
BC.110	-49895.228	-42464.675	I12 - 2	-49979.475	-42572.768
I10 - 1	-49895.178	-42469.340	I12 - 3	-49983.520	-42575.137
I10 - 2	-49895.325	-42473.946	I12 - 4	-49987.245	-42577.794
			I12 - 5	-49990.802	-42580.856

横断面図 S=1:100

NO.563 (市道上溝・麻溝台線)



管渠構造図 S=1:50



施工区	8工区 L=820.028m	
占用区間	46 相模原市道上溝・麻溝台線	46 市道上溝497号線
管渠築造	B 市道田尻・善田線	
土盛り	13.718	14.172
地盤高	93.029	92.446
管底高	75.404	77.043
追加距離	28100.611	28273.422
区間距離	27.189	28.846
測点	ME-1	ME-565
ME-1	28100.611	28273.422
ME-2	28103.819	28273.422
ME-109	28107.646	28273.422
ME-110	28112.180	28273.422
ME-111	28117.383	28273.422
ME-112	28123.422	28273.422
ME-113	28126.040	28273.422
ME-114	28130.674	28273.422
ME-115	28135.282	28273.422
ME-116	28139.969	28273.422
ME-117	28144.576	28273.422
ME-118	28149.184	28273.422
ME-119	28153.792	28273.422
ME-120	28158.400	28273.422
ME-121	28163.008	28273.422
ME-122	28167.616	28273.422
ME-123	28172.224	28273.422
ME-124	28176.832	28273.422
ME-125	28181.440	28273.422
ME-126	28186.048	28273.422
ME-127	28190.656	28273.422
ME-128	28195.264	28273.422
ME-129	28200.872	28273.422
ME-130	28205.480	28273.422
ME-131	28210.088	28273.422
ME-132	28214.696	28273.422
ME-133	28219.304	28273.422
ME-134	28223.912	28273.422
ME-135	28228.520	28273.422
ME-136	28233.128	28273.422
ME-137	28237.736	28273.422
ME-138	28242.344	28273.422
ME-139	28246.952	28273.422
ME-140	28251.560	28273.422
ME-141	28256.168	28273.422
ME-142	28260.776	28273.422
ME-143	28265.384	28273.422
ME-144	28269.992	28273.422
ME-145	28274.600	28273.422
ME-146	28279.208	28273.422
ME-147	28283.816	28273.422
ME-148	28288.424	28273.422
ME-149	28293.032	28273.422
ME-150	28297.640	28273.422
ME-151	28302.248	28273.422
ME-152	28306.856	28273.422
ME-153	28311.464	28273.422
ME-154	28316.072	28273.422
ME-155	28320.680	28273.422
ME-156	28325.288	28273.422
ME-157	28329.896	28273.422
ME-158	28334.504	28273.422
ME-159	28339.112	28273.422
ME-160	28343.720	28273.422
ME-161	28348.328	28273.422
ME-162	28352.936	28273.422
ME-163	28357.544	28273.422
ME-164	28362.152	28273.422
ME-165	28366.760	28273.422
ME-166	28371.368	28273.422
ME-167	28375.976	28273.422
ME-168	28380.584	28273.422
ME-169	28385.192	28273.422
ME-170	28389.800	28273.422
ME-171	28394.408	28273.422
ME-172	28399.016	28273.422
ME-173	28403.624	28273.422
ME-174	28408.232	28273.422
ME-175	28412.840	28273.422
ME-176	28417.448	28273.422
ME-177	28422.056	28273.422
ME-178	28426.664	28273.422
ME-179	28431.272	28273.422
ME-180	28435.880	28273.422
ME-181	28440.488	28273.422
ME-182	28445.096	28273.422
ME-183	28449.704	28273.422
ME-184	28454.312	28273.422
ME-185	28458.920	28273.422
ME-186	28463.528	28273.422
ME-187	28468.136	28273.422
ME-188	28472.744	28273.422
ME-189	28477.352	28273.422
ME-190	28481.960	28273.422
ME-191	28486.568	28273.422
ME-192	28491.176	28273.422
ME-193	28495.784	28273.422
ME-194	28500.392	28273.422
ME-195	28504.999	28273.422
ME-196	28509.607	28273.422
ME-197	28514.215	28273.422
ME-198	28518.823	28273.422
ME-199	28523.431	28273.422
ME-200	28528.039	28273.422
ME-201	28532.647	28273.422
ME-202	28537.255	28273.422
ME-203	28541.863	28273.422
ME-204	28546.471	28273.422
ME-205	28551.079	28273.422
ME-206	28555.687	28273.422
ME-207	28560.295	28273.422
ME-208	28564.903	28273.422
ME-209	28569.511	28273.422
ME-210	28574.119	28273.422
ME-211	28578.727	28273.422
ME-212	28583.335	28273.422
ME-213	28587.943	28273.422
ME-214	28592.551	28273.422
ME-215	28597.159	28273.422
ME-216	28601.767	28273.422
ME-217	28606.375	28273.422
ME-218	28610.983	28273.422
ME-219	28615.591	28273.422
ME-220	28620.199	28273.422
ME-221	28624.807	28273.422
ME-222	28629.415	28273.422
ME-223	28634.023	28273.422
ME-224	28638.631	28273.422
ME-225	28643.239	28273.422
ME-226	28647.847	28273.422
ME-227	28652.455	28273.422
ME-228	28657.063	28273.422
ME-229	28661.671	28273.422
ME-230	28666.279	28273.422
ME-231	28670.887	28273.422
ME-232	28675.495	28273.422
ME-233	28680.103	28273.422
ME-234	28684.711	28273.422
ME-235	28689.319	28273.422
ME-236	28693.927	28273.422
ME-237	28698.535	28273.422
ME-238	28703.143	28273.422
ME-239	28707.751	28273.422
ME-240	28712.359	28273.422
ME-241	28716.967	28273.422
ME-242	28721.575	28273.422
ME-243	28726.183	28273.422
ME-244	28730.791	28273.422
ME-245	28735.399	28273.422
ME-246	28740.007	28273.422
ME-247	28744.615	28273.422
ME-248	28749.223	28273.422
ME-249	28753.831	28273.422
ME-250	28758.439	28273.422
ME-251	28763.047	28273.422
ME-252	28767.655	28273.422
ME-253	28772.263	28273.422
ME-254	28776.871	28273.422
ME-255	28781.479	28273.422
ME-256	28786.087	28273.422
ME-257	28790.695	28273.422
ME-258	28795.303	28273.422
ME-259	28799.911	28273.422
ME-260	28804.519	28273.422
ME-261	28809.127	28273.422
ME-262	28813.735	28273.422
ME-263	28818.343	28273.422
ME-264	28822.951	28273.422
ME-265	28827.559	28273.422
ME-266	28832.167	28273.422
ME-267	28836.775	28273.422
ME-268	28841.383	28273.422
ME-269	28845.991	28273.422
ME-270	28850.599	28273.422
ME-271	28855.207	28273.422
ME-272	28859.815	28273.422
ME-273	28864.423	28273.422
ME-274	28869.031	28273.422
ME-275	28873.639	28273.422
ME-276	28878.247	28273.422
ME-277	28882.855	28273.422
ME-278	28887.463	28273.422
ME-279	28892.071	28273.422
ME-280	28896.679	28273.422
ME-281	28901.287	28273.422
ME-282	28905.895	28273.422
ME-283	28910.503	28273.422
ME-284	28915.111	28273.422
ME-285	28919.719	28273.422
ME-286	28924.327	28273.422
ME-287	28928.935	28273.422
ME-288	28933.543	28273.422
ME-289	28938.151	28273.422
ME-290	28942.759	28273.422
ME-291	28947.367	28273.422
ME-292	28951.975	28273.422
ME-293	28956.583	28273.422
ME-294	28961.191	28273.422
ME-295	28965.799	28273.422
ME-296	28970.407	28273.422
ME-297	28975.015	28273.422
ME-298	28979.623	28273.422
ME-299	28984.231	28273.422
ME-300	28988.839	28273.422
ME-301	28993.447	28273.422
ME-302	28998.055	28273.422
ME-303	29002.663	28273.422
ME-304	29007.271	28273.422
ME-305	29011.879	28273.422
ME-306	29016.487	28273.422
ME-307	29021.095	28273.422
ME-308	29025.703	28273.422</